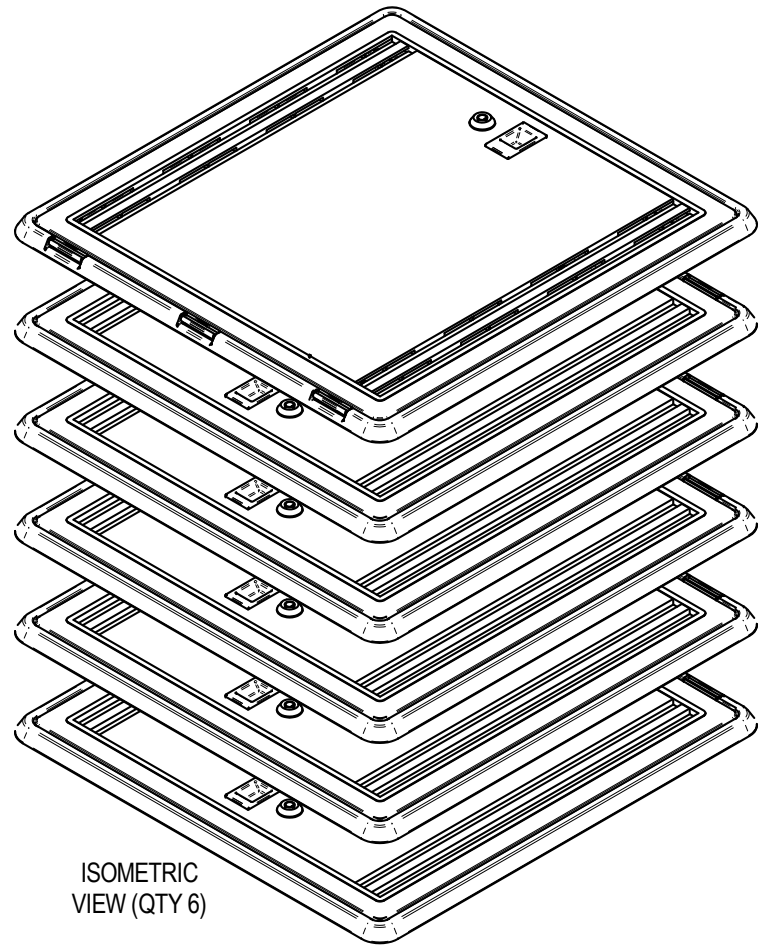
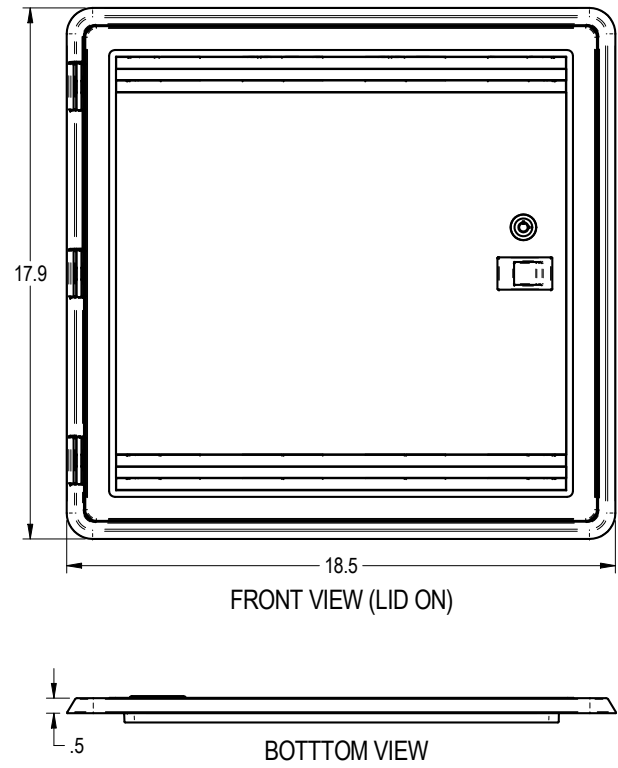


**"OPTICAL CABLE CORPORATION (OCC)  
RESERVES THE RIGHT TO REVISE ANY  
AND ALL DESIGN SPECIFICATIONS."  
UNCONTROLLED COPY**



**DIMENSIONS**

- COVER: 17.9" X 18.5" X .5" THK
- COVER (DOOR) FOR USE ON MATCHING ENCL BASE

**MATERIAL**


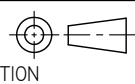
- UL94-V0 ABS PLASTIC CONSTRUCTION
- COLOR: WHITE

**SAFETY**

- UL 1863, COMMUNICATIONS CIRCUIT ACCESSORIES
- UL 2416, STANDARD FOR AUDIO/VIDEO, INFORMATION AND COMMUNICATION TECHNOLOGY EQUIPMENT CABINETS, ENCLOSURES AND RACK SYSTEMS

**FEATURES**

- HINGED VENTED DOORS FOR HEAT DISSIPATION
- OPTIONAL LOCK (PURCHASED SEPERATELY)
- DOORS MAY BE REVERSE MOUNTED FOR LEFT OR RIGHT SWING

<b>MSDE15P-DOOR6</b>		<b>MULTIMEDIA SERVICE ENCLOSURE, DOOR, 15" PLASTIC, 6 PACK</b>								
<b>OCC PART NO.</b>		<b>DESCRIPTION</b>								
<small>UNLESS OTHERWISE SPECIFIED DIMENSIONS ARE IN INCHES. TOLERANCES: FRACTIONS ±1/32"                   ANGLES ±1/2° 3 PLACE DECIMALS ±.005" 2 PLACE DECIMALS ±.01"</small>	<small>THIS DRAWING AND THE DESIGN SHOWN ARE THE PROPERTY OF OPTICAL CABLE CORPORATION AND MAY NOT BE USED AS THE BASIS FOR MANUFACTURE OR SALE WITHOUT SPECIFIC WRITTEN PERMISSION OF OPTICAL CABLE CORPORATION.</small>		 <small>33 Superior Way Swannanoa, NC 28778 Phone: 828-298-2260 Fax: 828-298-2487 www.occfiber.com</small>							
	<small>MATERIAL UL94-V0 ABS PLASTIC (ENCLOSURE, DOOR, AND DOOR FRAME)</small>	<small>DRAWN</small> D.A.HOLBERT <table border="1"> <tr> <td><small>DATE</small> 7/23/19</td> </tr> <tr> <td><small>CHECKED</small> J.HOWE</td> </tr> <tr> <td><small>DATE</small> 8/12/19</td> </tr> <tr> <td><small>ENGINEER</small> J.YANIK</td> </tr> <tr> <td><small>DATE</small> 7/23/19</td> </tr> <tr> <td><small>APPROVED</small> J.CALLOWAY</td> </tr> <tr> <td><small>DATE</small> 11/18/20</td> </tr> <tr> <td><small>PREVIOUS DWG</small></td> </tr> <tr> <td><small>NEXT DWG</small></td> </tr> </table>		<small>DATE</small> 7/23/19	<small>CHECKED</small> J.HOWE	<small>DATE</small> 8/12/19	<small>ENGINEER</small> J.YANIK	<small>DATE</small> 7/23/19	<small>APPROVED</small> J.CALLOWAY	<small>DATE</small> 11/18/20
<small>DATE</small> 7/23/19										
<small>CHECKED</small> J.HOWE										
<small>DATE</small> 8/12/19										
<small>ENGINEER</small> J.YANIK										
<small>DATE</small> 7/23/19										
<small>APPROVED</small> J.CALLOWAY										
<small>DATE</small> 11/18/20										
<small>PREVIOUS DWG</small>										
<small>NEXT DWG</small>										
<small>FINISH COLOR: WHITE</small>	<small>DWG TITLE</small> <b>ASSEMBLY DRAWING, MSDE15P-DOOR6</b>		<small>SIZE</small> B <table border="1"> <tr> <td><small>DWG NO.</small> <b>C113475</b></td> <td><small>REV</small> A</td> </tr> </table>	<small>DWG NO.</small> <b>C113475</b>	<small>REV</small> A					
<small>DWG NO.</small> <b>C113475</b>	<small>REV</small> A									
<small>THIRD ANGLE PROJECTION</small> 	<small>FILENAME</small> C113475A.dft <table border="1"> <tr> <td><small>SCALE:</small> 1:5</td> <td><small>SHEET</small> 1 OF 1</td> </tr> </table>		<small>SCALE:</small> 1:5	<small>SHEET</small> 1 OF 1						
<small>SCALE:</small> 1:5	<small>SHEET</small> 1 OF 1									

THIRD ANGLE PROJECTION

CRITICAL DIMENSION CODE

(F) = FUNCTION

(M) = MATING

(A) = AUDIT

**PROPRIETARY AND CONFIDENTIAL**