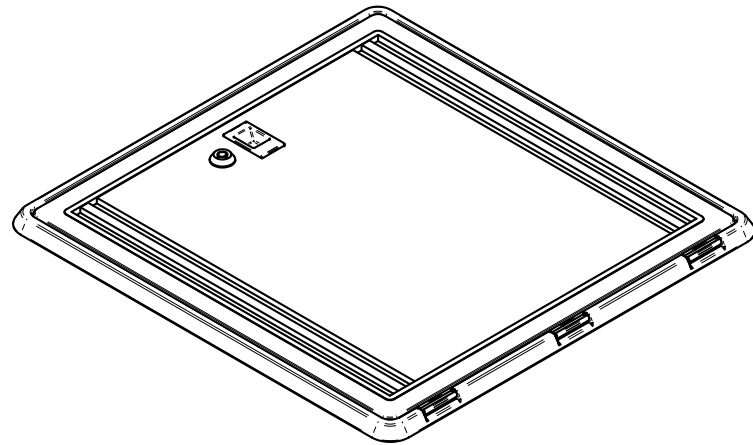
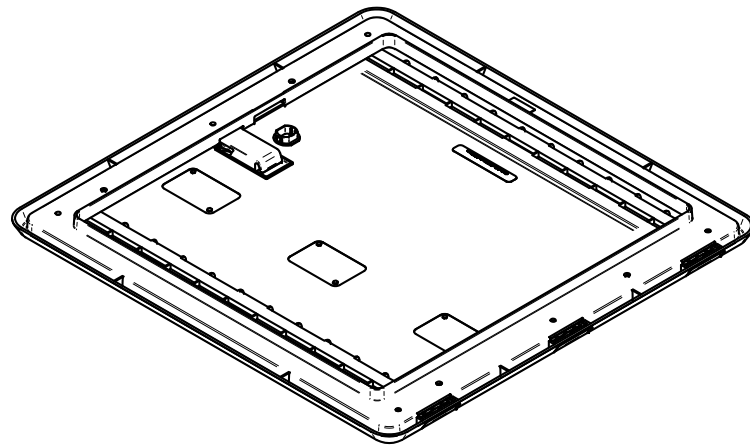


"OPTICAL CABLE CORPORATION (OCC)
RESERVES THE RIGHT TO REVISE ANY
AND ALL DESIGN SPECIFICATIONS."

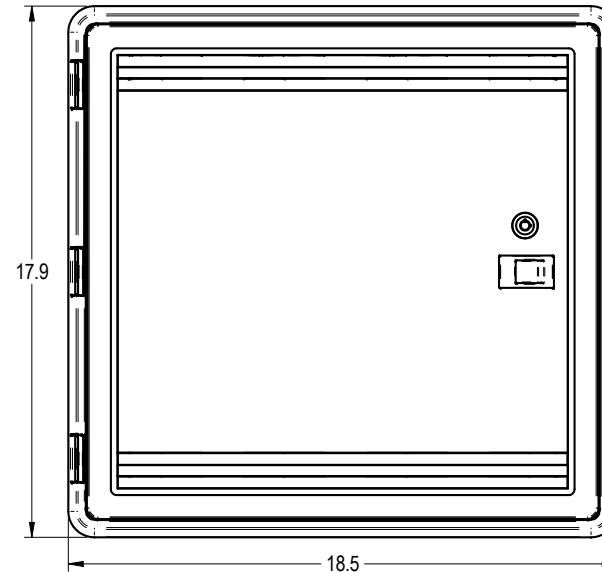
UNCONTROLLED COPY



FRONT
ISOMETRIC
VIEW (QTY 1)



REAR



FRONT VIEW (QTY 1)



BOTTOM VIEW

DIMENSIONS

- COVER: 17.9" X 18.5" X .5" THK
- COVER (DOOR) FOR USE ON MATCHING ENCL BASE

MATERIAL

- UL94-V0 ABS PLASTIC CONSTRUCTION
- COLOR: WHITE

SAFETY

- UL 1863, COMMUNICATIONS CIRCUIT ACCESSORIES
- UL 2416, STANDARD FOR AUDIO/VIDEO, INFORMATION AND COMMUNICATION TECHNOLOGY EQUIPMENT CABINETS, ENCLOSURES AND RACK SYSTEMS

FEATURES

- HINGED VENTED DOORS FOR HEAT DISSIPATION
- OPTIONAL LOCK (PURCHASED SEPERATELY)
- DOORS MAY BE REVERSE MOUNTED FOR LEFT OR RIGHT SWING

| | | | |
|---|--|--|--|
| MSDE15P-DOOR | | MULTIMEDIA SERVICE ENCLOSURE, DOOR, 15" PLASTIC, QTY 1 | |
| OCC PART NO. | | DESCRIPTION | |
| UNLESS OTHERWISE SPECIFIED DIMENSIONS ARE IN INCHES. TOLERANCES: FRACTIONS ±1/32" ANGLES ±1/2° 3 PLACE DECIMALS ±.005" 2 PLACE DECIMALS ±.01" | | THIS DRAWING AND THE DESIGN SHOWN ARE THE PROPERTY OF OPTICAL CABLE CORPORATION AND MAY NOT BE USED AS THE BASIS FOR MANUFACTURE OR SALE WITHOUT SPECIFIC WRITTEN PERMISSION OF OPTICAL CABLE CORPORATION. | |
| DRAWN D.A.HOLBERT | | DATE 9/25/20 | |
| CHECKED J.HOWE | | DATE 11/3/20 | |
| ENGINEER J.YANIK | | DATE 9/25/20 | |
| APPROVED J.CALLOWAY | | DATE 11/17/20 | |
| PREVIOUS DWG | | | |
| NEXT DWG | | FILENAME C113525A.dft | |
| MATERIAL UL94-V0 ABS PLASTIC (ENCLOSURE, DOOR, AND DOOR FRAME) | | FINISH COLOR: WHITE | |
| THIRD ANGLE PROJECTION | | DWG TITLE ASSEMBLY DRAWING, MSDE15P-DOOR | |
| CRITICAL DIMENSION CODE (F) = FUNCTION (M) = MATING (A) = AUDIT | | SIZE B | |
| | | DWG NO. C113525 | |
| | | REV A | |
| | | SCALE: 1:5 | |
| | | SHEET 1 OF 1 | |



33 Superior Way
Swannanoa, NC 28778
Phone: 828-298-2260
Fax: 828-298-2487
www.occfiber.com

PROPRIETARY AND CONFIDENTIAL