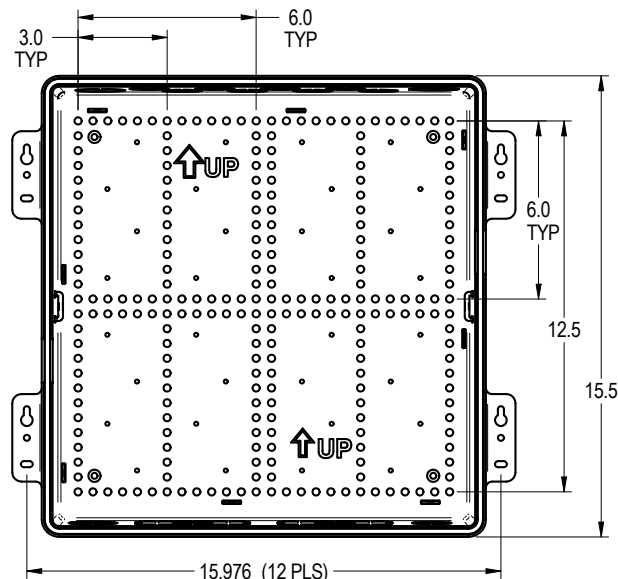
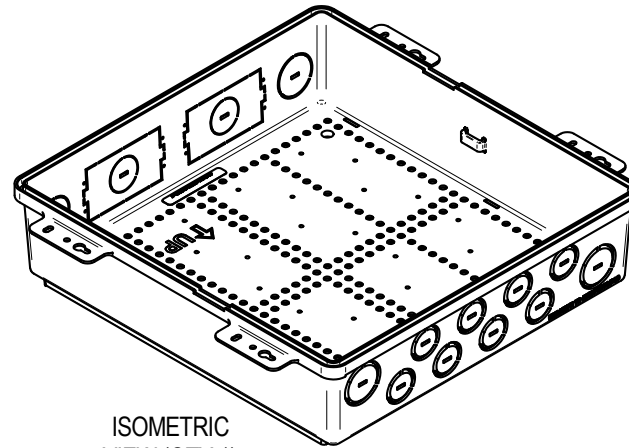


"OPTICAL CABLE CORPORATION (OCC)
RESERVES THE RIGHT TO REVISE ANY
AND ALL DESIGN SPECIFICATIONS."

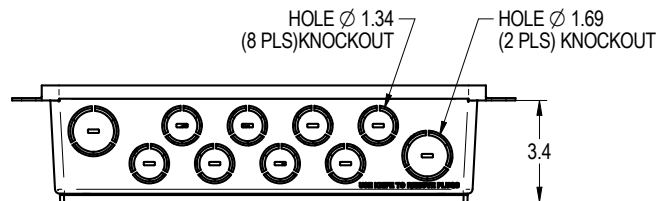
UNCONTROLLED COPY



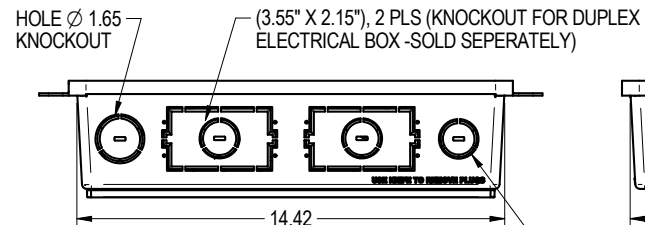
FRONT VIEW (QTY 1)



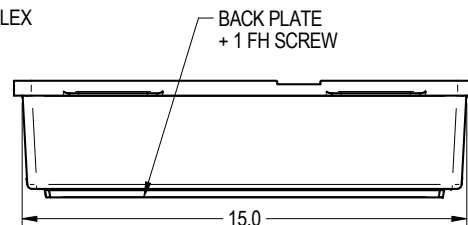
ISOMETRIC
VIEW (QTY 1)



TOP VIEW



BOTTOM VIEW



SIDE VIEW

THIRD ANGLE PROJECTION	
CRITICAL DIMENSION CODE	
(F) = FUNCTION	
(M) = MATING	
(A) = AUDIT	

MSDE15P-BOX		MULTIMEDIA SERVICE ENCLOSURE, BOX, 15" PLASTIC, QTY 1	
OCC PART NO.		DESCRIPTION	
UNLESS OTHERWISE SPECIFIED DIMENSIONS ARE IN INCHES. TOLERANCES: FRACTIONS ±1/32" ANGLES ±1/2° 3 PLACE DECIMALS ±.005" 2 PLACE DECIMALS ±.01"		THIS DRAWING AND THE DESIGN SHOWN ARE THE PROPERTY OF OPTICAL CABLE CORPORATION AND MAY NOT BE USED AS THE BASIS FOR MANUFACTURE OR SALE WITHOUT SPECIFIC WRITTEN PERMISSION OF OPTICAL CABLE CORPORATION.	
DRAWN D.A.HOLBERT		DATE	10/6/20
CHECKED J.HOWE		DATE	11/4/20
ENGINEER J.YANIK		DATE	10/6/20
APPROVED J.CALLOWAY		DATE	11/17/20
PREVIOUS DWG			
NEXT DWG		FILENAME	C113526A.dft
		SCALE:	1:5
		SHEET	1 OF 1
		DWG TITLE	ASSEMBLY DRAWING, MSDE15P-BOX
SIZE	B	DWG NO.	C113526
REV	A		

DIMENSIONS

- ENCLOSURE: 15.0" X 14.42" X 3.9"
- ENCL (BASE) FOR USE WITH MATCHING COVER (DOOR)

MATERIAL

- UL94-V0 ABS PLASTIC CONSTRUCTION
- COLOR: WHITE

SAFETY

- UL 1863, COMMUNICATIONS CIRCUIT ACCESSORIES
- UL 2416, STANDARD FOR AUDIO/VIDEO, INFORMATION AND COMMUNICATION TECHNOLOGY EQUIPMENT CABINETS, ENCLOSURES AND RACK SYSTEMS

FEATURES

- MOUNTING TABS FOR STANDARD 16" ON-CENTER STUD SPACING
- ENCLOSURES MOUNT FLUSH WITH WALL WHEN USING STANDARD 2x4 STUDS 1/2" DRYWALL
- PLASTIC CONSTRUCTION MINIMIZES WIRELESS SIGNAL DEGRADATION
- VERSATILE PEGBOARD MOUNTING CONFIGURATION



33 Superior Way
Swannanoa, NC 28778
Phone: 828-298-2260
Fax: 828-298-2487
www.occfiber.com