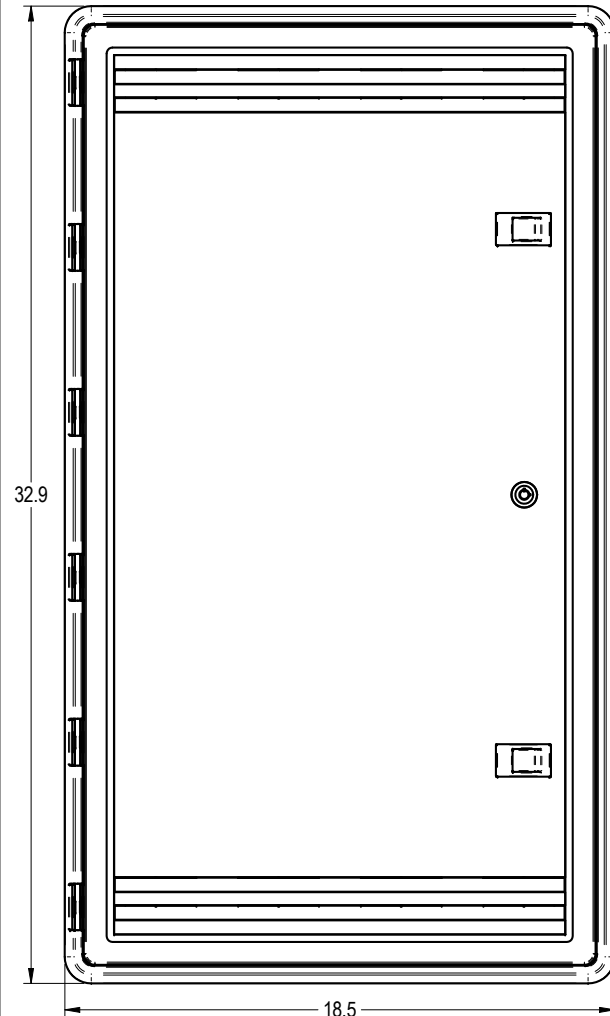


"OPTICAL CABLE CORPORATION (OCC)
RESERVES THE RIGHT TO REVISE ANY
AND ALL DESIGN SPECIFICATIONS."

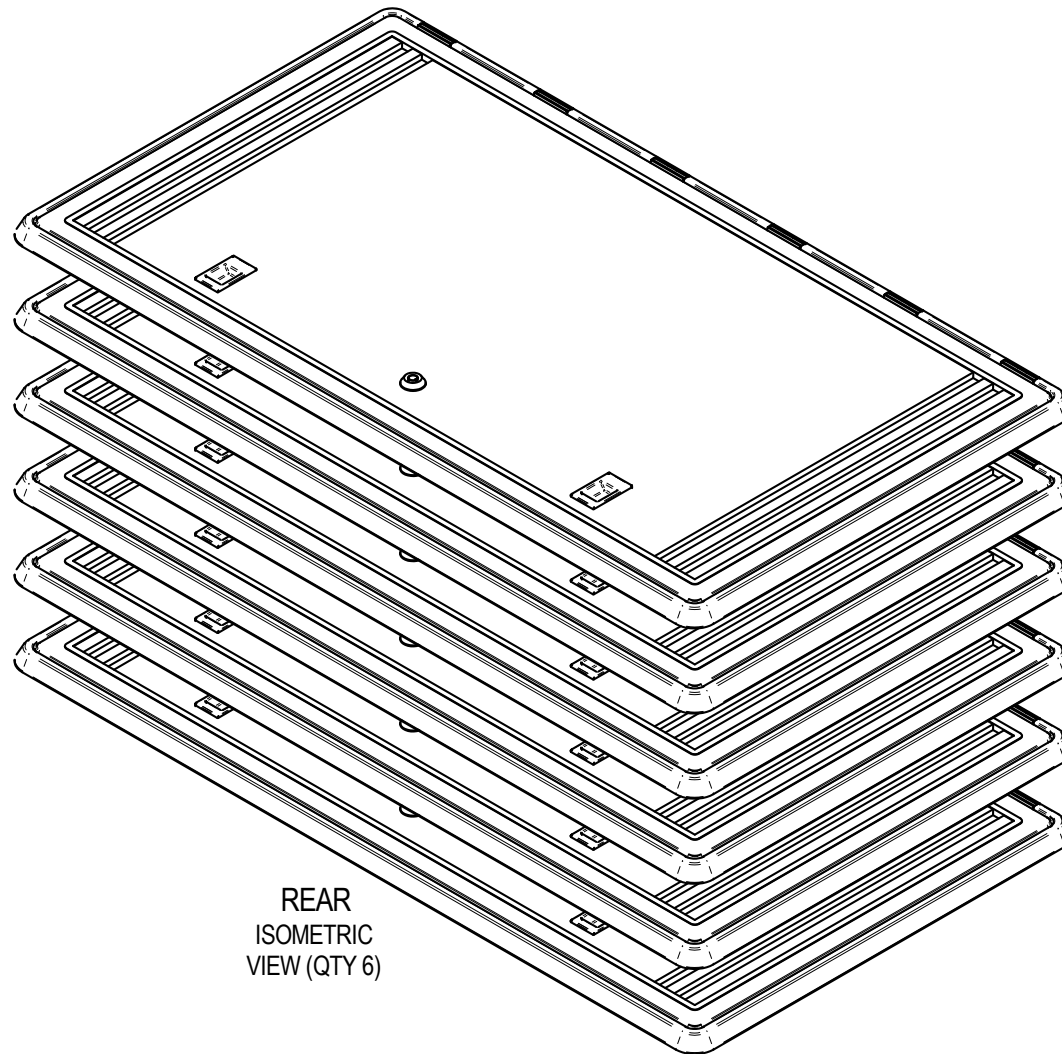
UNCONTROLLED COPY



FRONT VIEW (QTY 1)



BOTTOM VIEW



REAR
ISOMETRIC
VIEW (QTY 6)

DIMENSIONS

- COVER: 32.9" X 18.5" X .5" THK
- COVER (DOOR) FOR USE ON MATCHING ENCL BASE

MATERIAL

- UL94-V0 ABS PLASTIC CONSTRUCTION
- COLOR: WHITE

SAFETY

- UL 1863, COMMUNICATIONS CIRCUIT ACCESSORIES
- UL 2416, STANDARD FOR AUDIO/VIDEO, INFORMATION AND COMMUNICATION TECHNOLOGY EQUIPMENT CABINETS, ENCLOSURES AND RACK SYSTEMS

FEATURES

- HINGED VENTED DOORS FOR HEAT DISSIPATION
- OPTIONAL LOCK (PURCHASED SEPERATELY)
- DOORS MAY BE REVERSE MOUNTED FOR LEFT OR RIGHT SWING

MSDE30P-DOOR6		MULTIMEDIA SERVICE ENCLOSURE, DOOR, 30" PLASTIC, 6 PACK	
OCC PART NO.		DESCRIPTION	
UNLESS OTHERWISE SPECIFIED DIMENSIONS ARE IN INCHES. TOLERANCES: FRACTIONS ±1/32" ANGLES ±1/2° 3 PLACE DECIMALS ±.005" 2 PLACE DECIMALS ±.01"		THIS DRAWING AND THE DESIGN SHOWN ARE THE PROPERTY OF OPTICAL CABLE CORPORATION AND MAY NOT BE USED AS THE BASIS FOR MANUFACTURE OR SALE WITHOUT SPECIFIC WRITTEN PERMISSION OF OPTICAL CABLE CORPORATION.	
DRAWN D.A.HOLBERT		DATE 10/5/20	
CHECKED J.HOWE		DATE 11/3/20	
ENGINEER J.YANIK		DATE 10/5/20	
APPROVED J.CALLOWAY		DATE 11/17/20	
PREVIOUS DWG			
NEXT DWG		FILENAME C113534A.dft	
MATERIAL UL94-V0 ABS PLASTIC (ENCLOSURE, DOOR, AND DOOR FRAME)		FINISH COLOR: WHITE	
THIRD ANGLE PROJECTION		DWG TITLE ASSEMBLY DRAWING, MSDE30P-DOOR6	
CRITICAL DIMENSION CODE (F) = FUNCTION (M) = MATING (A) = AUDIT		SIZE B	
		DWG NO. C113534	
		REV A	
		SCALE: 1:5	
		SHEET 1 OF 1	



33 Superior Way
Swannanoa, NC 28778
Phone: 828-298-2260
Fax: 828-298-2487
www.occfiber.com

PROPRIETARY AND CONFIDENTIAL