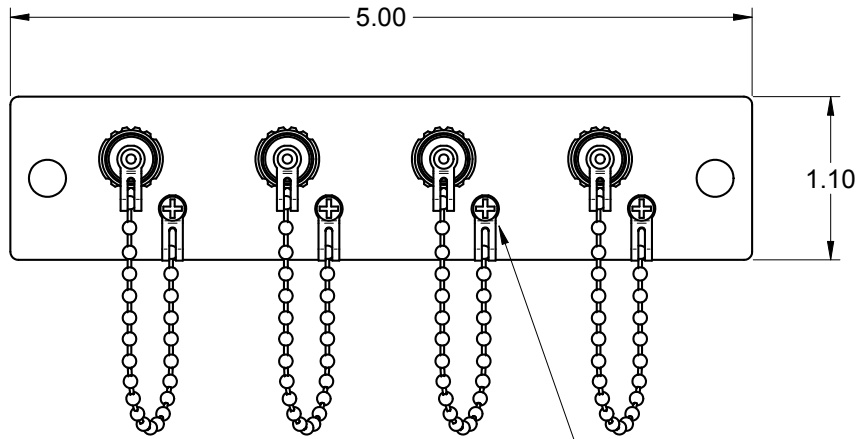
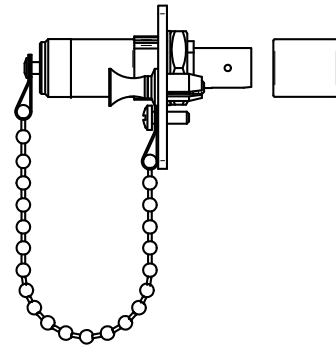


"OPTICAL CABLE CORPORATION (OCC)
RESERVES THE RIGHT TO REVISE ANY
AND ALL DESIGN SPECIFICATIONS."

UNCONTROLLED COPY

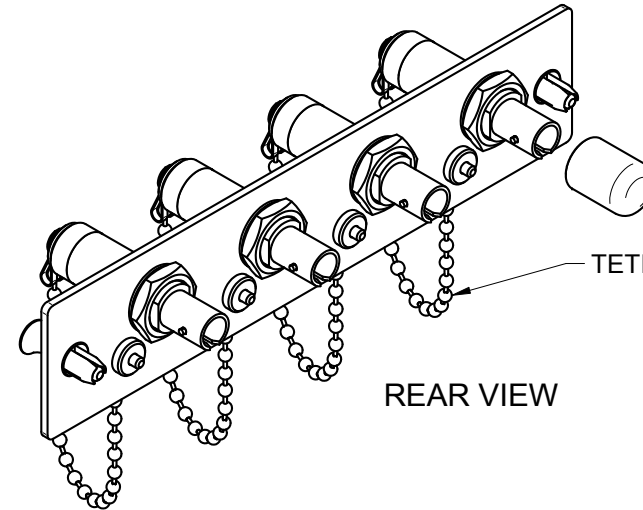


FRONT VIEW



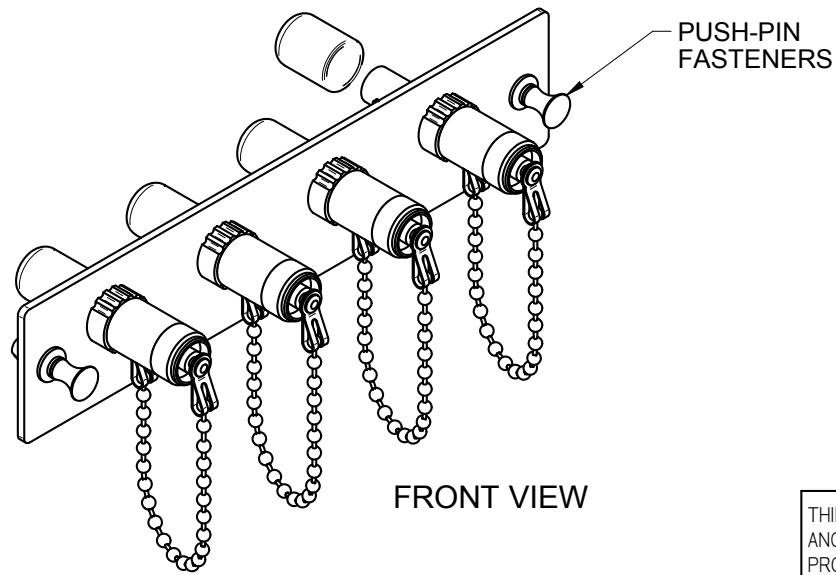
RIGHT SIDE

TETHER MOUNT SCREWS
(#2-56 X .375)



REAR VIEW


TETHER CHAINS



FRONT VIEW

PUSH-PIN
FASTENERS

THIRD ANGLE PROJECTION
CRITICAL DIMENSION CODE
(F) = FUNCTION
(M) = MATING
(A) = AUDIT

614CSMSTCC	ADAPTER PLATE ASSY, ST x 4P, SM, with CHAINED DUST CAPS	
OCC PART NO.	DESCRIPTION	
UNLESS OTHERWISE SPECIFIED DIMENSIONS ARE IN INCHES. TOLERANCES: FRACTIONS $\pm 1/32"$ ANGLES $\pm 1/2"$ 3 PLACE DECIMALS $\pm .005"$ 2 PLACE DECIMALS $\pm .01"$	THIS DRAWING AND THE DESIGN SHOWN ARE THE PROPERTY OF OPTICAL CABLE CORPORATION AND MAY NOT BE USED AS THE BASIS FOR MANUFACTURE OR SALE WITHOUT SPECIFIC WRITTEN PERMISSION OF OPTICAL CABLE CORPORATION.	 33 Superior Way Swannanoa, NC 28778 Phone: 828-298-2260 Fax: 828-298-2487 www.occfiber.com
MATERIAL SEE BILL OF MATERIAL	DRAWN D.A.HOLBERT DATE 6/7/18 CHECKED J. HOWE DATE 6/8/18 ENGINEER J.YANIK DATE 6/7/18 APPROVED D.INGLE DATE 5/31/19 PREVIOUS DWG NEXT DWG	
DWG TITLE ADAPTER PLATE ASSY, 4 ST W/ TETHERED DUST CAPS		SIZE B DWG NO. C113089 REV A
FILENAME C113089A.dft		SCALE: 1:1 SHEET 1 OF 1