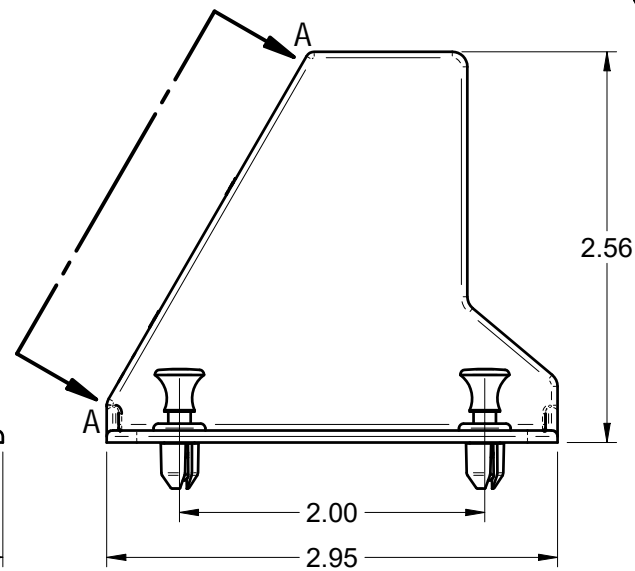
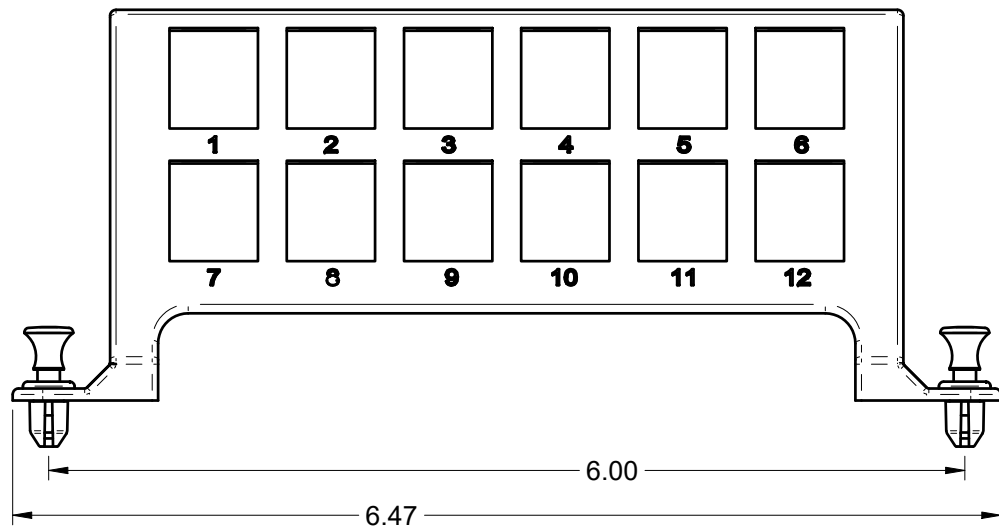
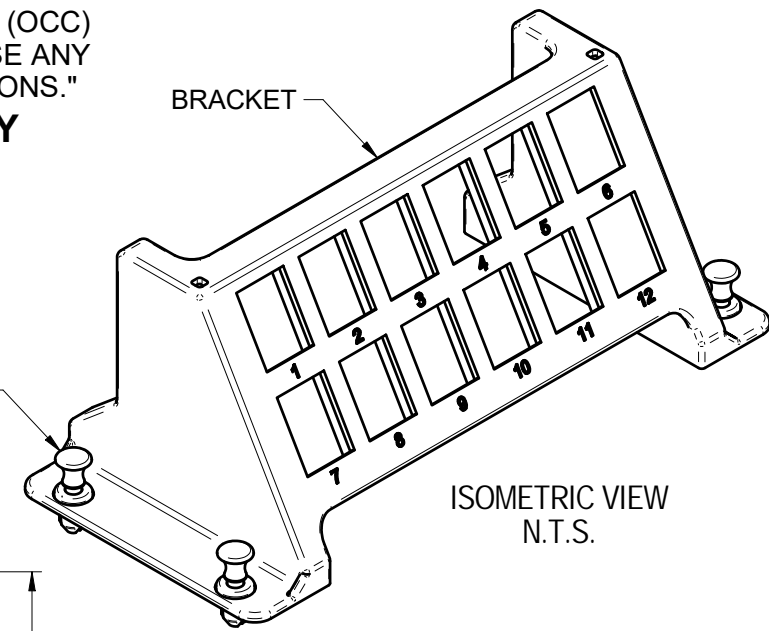


"OPTICAL CABLE CORPORATION (OCC)
RESERVES THE RIGHT TO REVISE ANY
AND ALL PRODUCT SPECIFICATIONS."
UNCONTROLLED COPY



OCC PART NO. MODP-12PBKT

FEATURES:

- ACCOMMODATES OCC KMJ SERIES MODULAR JACKS AND ADAPTERS
- COMPATIBLE WITH OCC MSDE15P AND MSDE30P MDU/RESIDENTIAL ENCLOSURES
- UL 94-V0 ABS PLASTIC

UNLESS OTHERWISE SPECIFIED
DIMENSIONS ARE IN INCHES.
TOLERANCES:
FRACTIONS ±1/32"
ANGLES ±1°
3 PLACE DECIMALS ±.004"
2 PLACE DECIMALS ±.008"
1 PLACE DECIMALS ±.016


THIRD ANGLE PROJECTION

CRITICAL DIMENSION CODE
 (F) = FUNCTION
 (M) = MATING
 (A) = AUDIT

MATERIAL
BRACKET: UL94V-0 ABS
PUSH-PIN AND GROMMET:
NYLON UL 94V-0
FINISH
AS SUPPLIED

THIS DRAWING AND THE DESIGN SHOWN ARE THE PROPERTY OF OPTICAL CABLE CORPORATION AND MAY NOT BE USED AS THE BASIS FOR MANUFACTURE OR SALE WITHOUT SPECIFIC WRITTEN PERMISSION OF OPTICAL CABLE CORPORATION.

DRAWN	D.A.HOLBERT	DATE	8/13/19
CHECKED	J.HOWE	DATE	8/14/19
ENGINEER	J.YANIK	DATE	8/13/19
APPROVED	J.CALLOWAY	DATE	8/20/19
PREVIOUS DWG			
NEXT DWG		FILENAME	C113258A.dft

 OPTICAL CABLE CORPORATION	5290 Concourse Drive Roanoke, VA 24019 Phone: 800-622-7711 Fax: 540-265-0724 www.occfiber.com	
	DWG TITLE MOUNTING BRACKET, 12-PORT, KMJ, MSDEP	
SIZE B	DWG NO. C113258	REV A
SCALE: 1:1		SHEET 1 OF 1