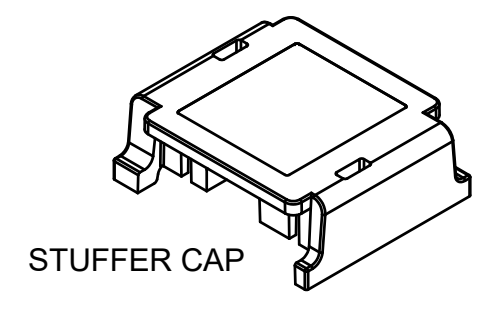
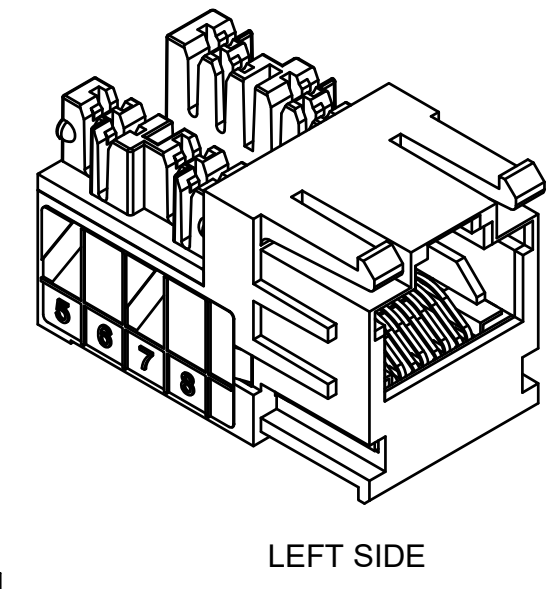
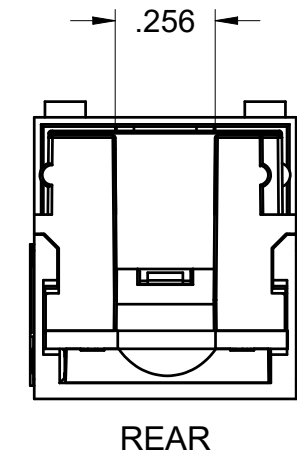
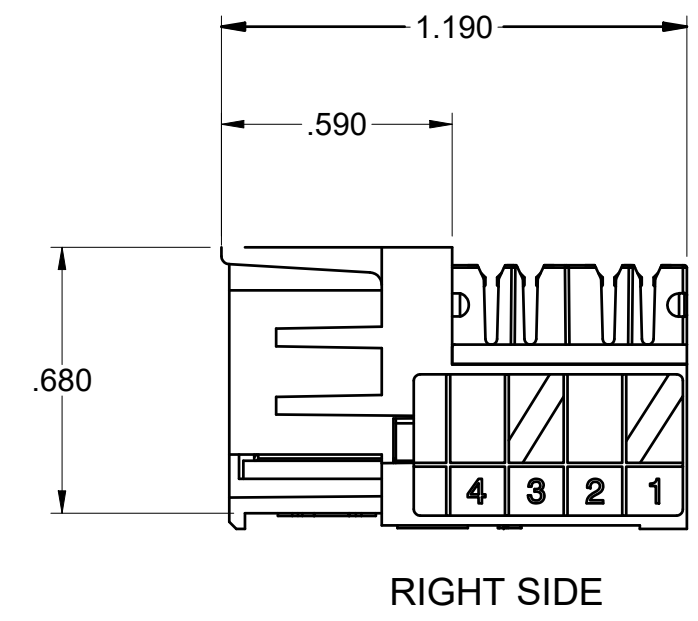
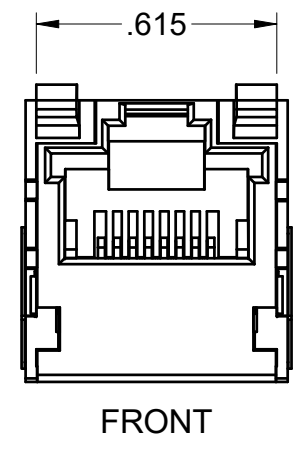
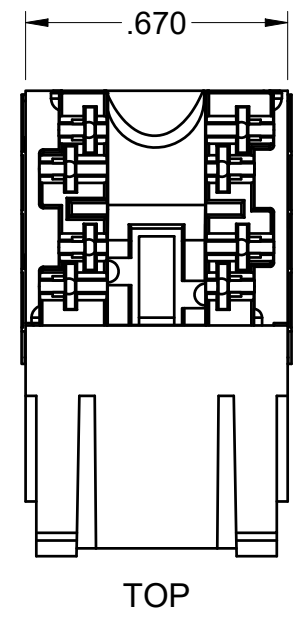


REVISION HISTORY				
REV/SHT	DESCRIPTION	DATE	ECN	CHECKED
A	ALL RELEASE NEW	11/29/06	NEW	JY

APPLICATIONS:

- LIMITED ACCESS JACKS ONLY ACCEPT LIMITED ACCESS PATCH CORDS
- KEYED COLOR-CODED JACK BEZELS AND PATCH CORD BOOTS PROVIDE THE CAPABILITY TO LIMIT PHYSICAL ACCESS TO SPECIFIC NETWORK PORTS
- 10GBASE-T ETHERNET
- 2.5/5GBASE-T ETHERNET
- 1000BASE-T GIGABIT ETHERNET
- BROADBAND VIDEO/IPTV
- ANALOG VOICE/VoIP
- SUPPORTS ALL IEEE STANDARDS FOR DC POWER DELIVERY OVER 4-PAIR CABLING WHEN INSTALLED IN ACCORDANCE WITH TIA TELECOMMUNICATIONS SYSTEMS BULLETIN TSB-184-A, GUIDELINES FOR SUPPORTING POWER DELIVERY OVER BALANCED TWISTED-PAIR CABLING
- ALL OTHER APPLICATIONS DEVELOPED FOR OPERATION OVER CATEGORY 6A



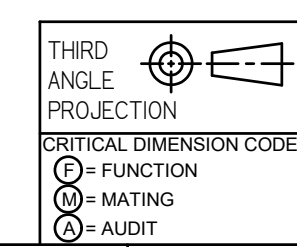
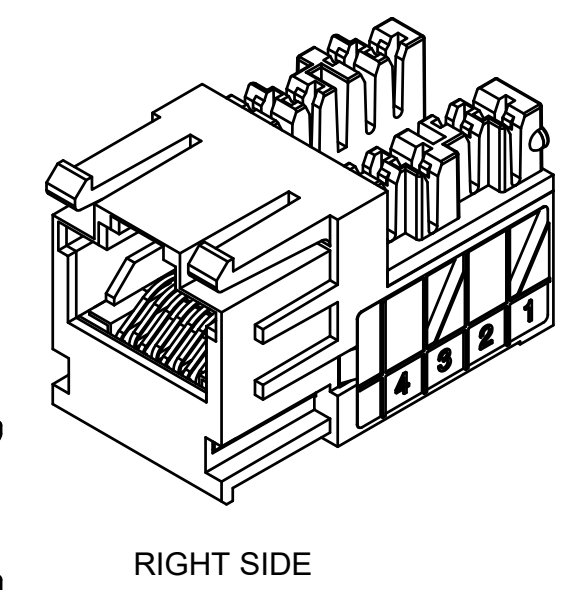
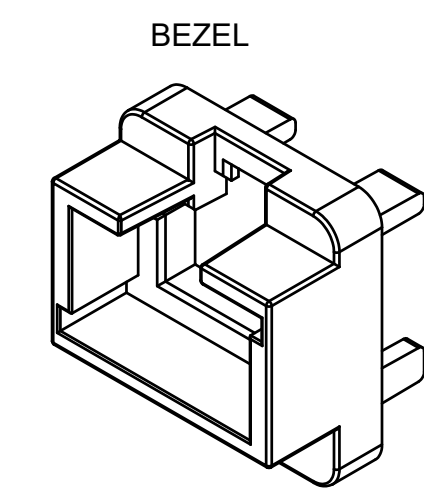
SPECIFICATIONS:

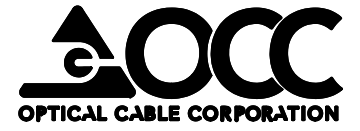
- ANSI / TIA-568.2-D CATEGORY 6A
- ANSI / TIA-968-A
- IEC 60603-7
- UL 1863

SPECIFICATIONS:

- JACK HOUSING: UL 94V-0 RATED THERMOPLASTIC
- MODULAR INTERFACE MATING CONTACTS
 - MATERIAL: BERYLLIUM COPPER
 - PLATING: 50 MICRO-INCH (MIN) HARD GOLD OVER 100 MICRO-INCH (MIN) NICKEL OR APPROVED ALTERNATE PLATING PROCESS
 - INSERTIONS / EXTRACTATIONS: ≥ 750
- 110-STYLE IDC TERMINAL
 - MATERIAL: PHOSPHOR BRONZE
 - PLATING: 100 MICRO-INCH (MIN) MATTE TIN OVER 50 MICRO-INCH (MIN) NICKEL
 - WIRE GAUGE RANGE: 22-26 AWG
 - INSERTIONS / WITHDRAWALS: ≥ 20

02	BLACK
03	RED
04	GREEN
05	BLUE
06	GRAY
07	WHITE
08	ORANGE
09	YELLOW



LA6AXX	CAT 6A UMJ LIMITED ACCESS MODULAR JACK	
OCC PART NO.	DESCRIPTION	
UNCONTROLLED COPY		
UNLESS OTHERWISE SPECIFIED DIMENSIONS ARE IN INCHES. TOLERANCES: FRACTIONS $\pm 1/32$ " ANGLES $\pm 1/2$ " 3 PLACE DECIMALS $\pm .003$ " 2 PLACE DECIMALS $\pm .03$ "		THIS DRAWING AND THE DESIGN SHOWN ARE THE PROPERTY OF OPTICAL CABLE CORPORATION AND MAY NOT BE USED AS THE BASIS FOR MANUFACTURE OR SALE WITHOUT SPECIFIC WRITTEN PERMISSION OF OPTICAL CABLE CORPORATION.
DRAWN D.A.HOLBERT	DATE 11/29/06	 5290 Concourse Drive Roanoke, VA 24019 Phone: 800-622-7711 Fax: 540-265-0724 www.occfiber.com
CHECKED J.YANIK	DATE 11/30/06	
ENGINEER S.VADEN	DATE 11/29/06	
APPROVED S.VADEN	DATE 11/30/06	
MATERIAL SEE BILL OF MATERIAL	FINISH SEE NOTES	DWG TITLE CUSTOMER DRAWING, JACK ASSEMBLY, CAT 6A, UMJ, LIMITED ACCESS SIZE C DWG NO. C107794 REV A FILENAME C107794A.DFT SCALE: NONE SHEET 1 OF 1