

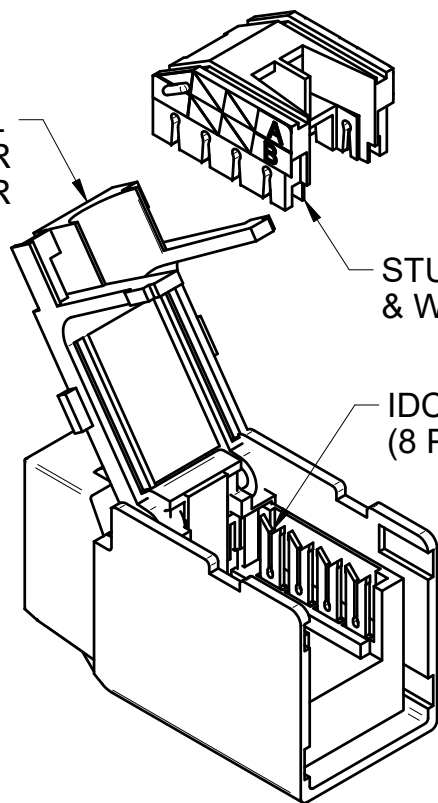
K6AS18	LT. BLUE	PROCESS BLUE C
K6AS12	WHITE	TRAN. WHT C
K6AS09	YELLOW	129C
K6AS08	ORANGE	158C
K6AS04	GREEN	348C
K6AS03	RED	187C
K6AS02	BLACK	PROCESS BLK C
PART NO.	COLOR	PANTONE NO.

COLOR TABLE

"OPTICAL CABLE CORPORATION (OCC)
RESERVES THE RIGHT TO REVISE ANY
AND ALL DESIGN SPECIFICATIONS."

UNCONTROLLED COPY

INTEGRAL
HINGED COVER
with GROUND BAR

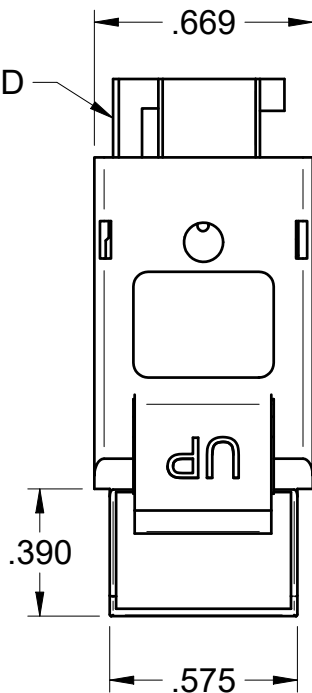


EXPLODED VIEW

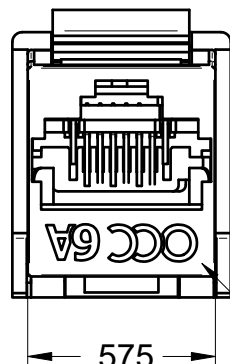
STUFFER CAP
& WIRE GUIDE

IDC
(8 PLS)

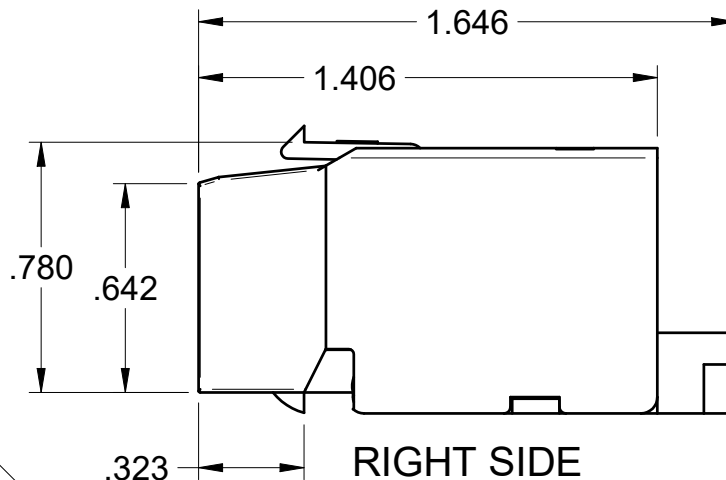
GROUND
BAR



TOP

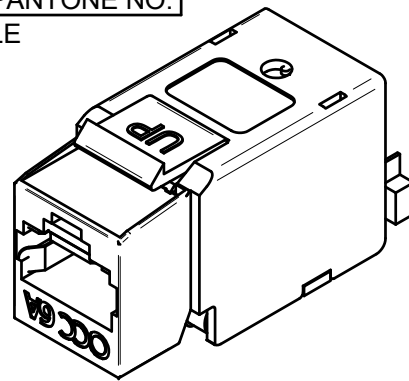


FRONT

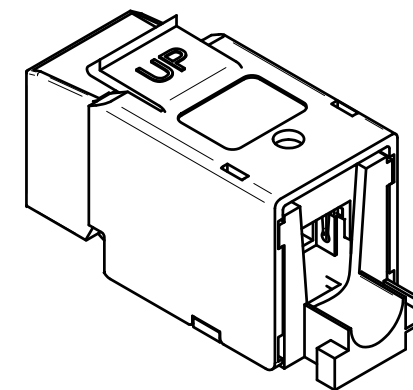


RIGHT SIDE

FRONT FACE PAD
PRINTED WITH
DESIGNATED
COLOR
(SEE TABLE)



ISOMETRIC (FRONT)



ISOMETRIC (REAR)

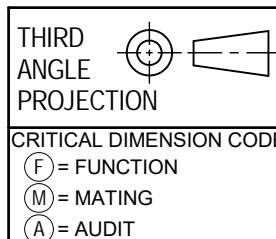
GROUND BAR ACCEPTS
STANDARD FEMALE
SPADE-LUG TERMINAL

SPECIFICATIONS:

- FULLY SHIELDED RJ45 CATEGORY 6A 90° TOOL LESS KEYSTONE JACK
- MODULAR JACK CONTACTS ARE PHOSPHOR BRONZE ALLOY PLATED WITH 50 μ INCHES OF GOLD
- 110 STYLE IDC CONNECTORS ARE 100 μ INCHES
- 100% TIN ALLOY OVER PHOSPHOR BRONZE
- UNIVERSAL JACK WIRING LABEL
- ZINC ALLOY HOUSING FULLY SHIELDED FROM EXTERNAL NOISE
- CIRCUIT BOARD MATERIALS ARE FIBERGLASS/EPOXY FR-4
- ALL PLASTIC COMPONENTS ARE HIGH IMPACT, SELF-EXTINGUISHING, RATED UL 94V-0
- PC BOARD TECHNOLOGY
- UL 1863 LISTED AND CSA CERTIFIED
- REDUCED INSTALLATION TIME
- ANSI/TIA-568-C.2 CATEGORY 6A
- ISO/IEC 11801:2002 AMENDMENT 2 Class E_A
- IEC 60603-7-51
- IEC 60603-7 AND IEC 60603-7-1
- QUICK GROUNDING BAR DESIGN
- COMPATIBLE WITH 6 POSITION MODULAR PLUG

APPLICATIONS SUPPORT LIST:

- IEEE 802.3an 10G BASE-T ETHERNET
- 1000 BASE-T GIGABIT ETHERNET
- 100 BASE-TX ETHERNET
- 10 BASE-T ETHERNET
- BROADBAND VIDEO
- 155/622 MBPS ATM
- 4/16 MBPS TOKEN RING
- VOICE (POTS)
- ALL OTHER APPLICATIONS DEVELOPED FOR OPERATIONS OVER CATEGORY 6A or CLASS E_A CABLING.



UNCONTROLLED COPY		
UNLESS OTHERWISE SPECIFIED DIMENSIONS ARE IN INCHES. TOLERANCES: FRACTIONS ±1/32" ANGLES ±1/2° 3 PLACE DECIMALS ±.005" 2 PLACE DECIMALS ±.01"		THIS DRAWING AND THE DESIGN SHOWN ARE THE PROPERTY OF OPTICAL CABLE CORPORATION AND MAY NOT BE USED AS THE BASIS FOR MANUFACTURE OR SALE WITHOUT SPECIFIC WRITTEN PERMISSION OF OPTICAL CABLE CORPORATION.
DRAWN	J. YANIK	DATE 02/21/20
CHECKED	J. CALLOWAY	DATE 02/21/20
ENGINEER	J. YANIK	DATE 02/21/20
APPROVED	J. CALLOWAY	DATE 02/21/20
PREVIOUS DWG		
NEXT DWG	FILENAME C113326A.dft	SCALE: NONE SHEET 1 OF 1

OCC
OPTICAL CABLE CORPORATION

5290 Concourse Drive
Roanoke, VA 24019
Phone: 800-622-7711
Fax: 540-265-0724
www.occfiber.com

DWG TITLE
CUSTOMER DRAWING, JACK ASSEMBLY, KMJ, CAT 6A, SHIELDED, COLORED, DIE CAST

SIZE B DWG NO. **C113326** REV A