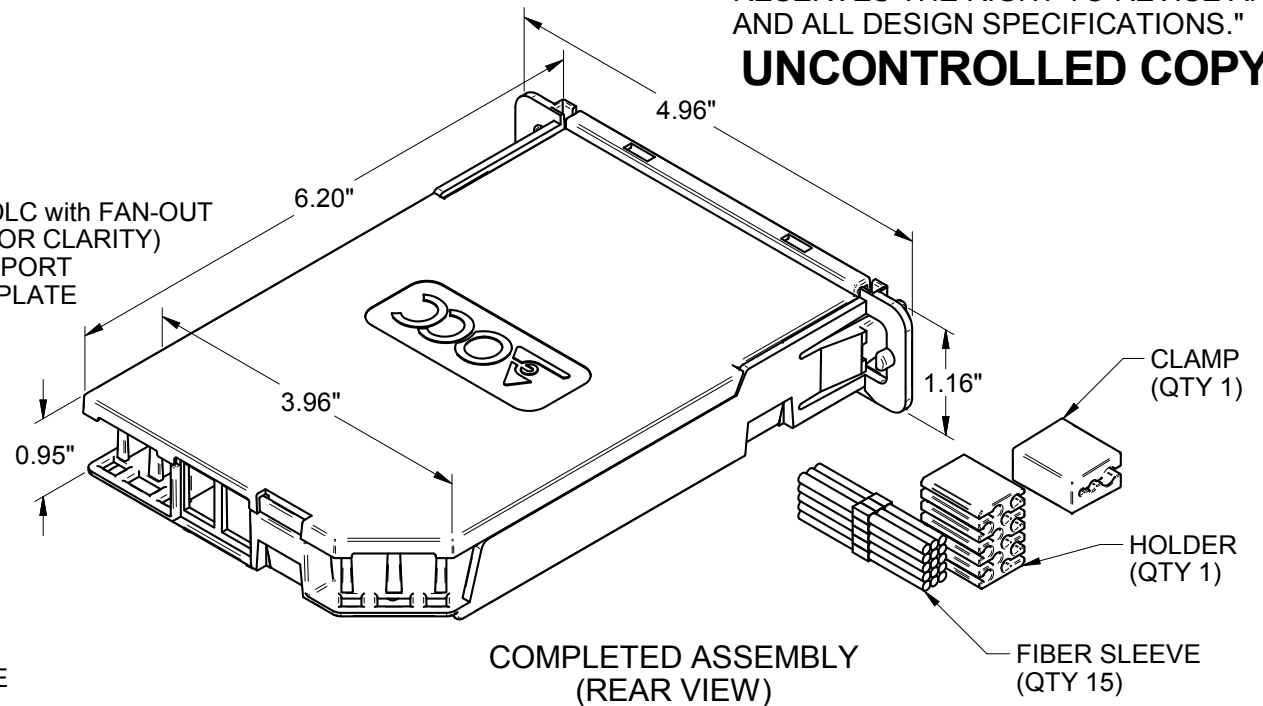
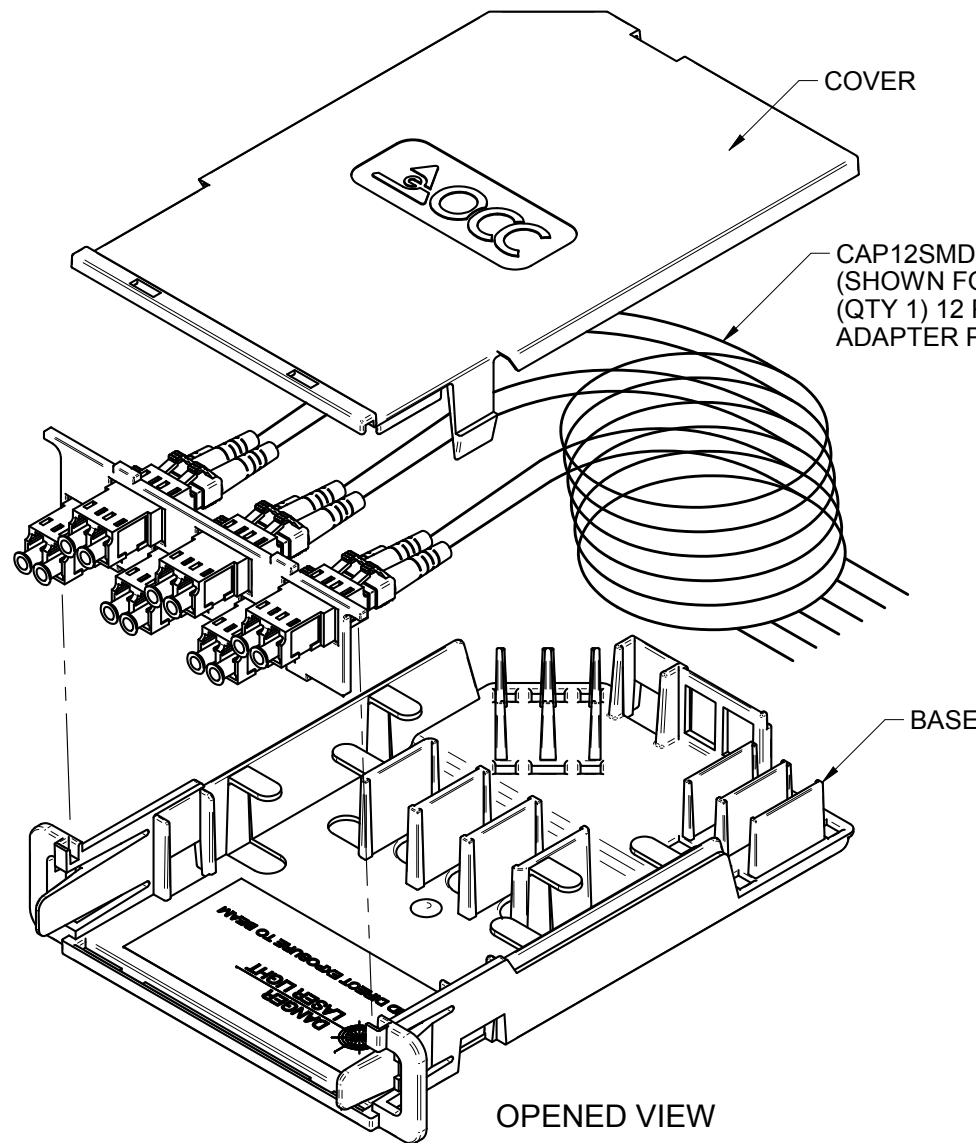


"OPTICAL CABLE CORPORATION (OCC)
RESERVES THE RIGHT TO REVISE ANY
AND ALL DESIGN SPECIFICATIONS."

UNCONTROLLED COPY



COMPLETED ASSEMBLY
(REAR VIEW)

FSCSA12DLCP	SPLICE CASSETTE, B & C, LC X 6, DUPLEX, APC, SPLICE, WITH FAN-OUT
FSCS812DLCP	SPLICE CASSETTE, B & C, LC X 6, DUPLEX, SM, SPLICE, WITH FAN-OUT
FSCS512DLCP	SPLICE CASSETTE, B & C, LC X 6, DUPLEX, 50µm OM5, SPLICE, WITH FAN-OUT
FSCS412DLCP	SPLICE CASSETTE, B & C, LC X 6, DUPLEX, 50µm OM4, SPLICE, WITH FAN-OUT
FSCS312DLCP	SPLICE CASSETTE, B & C, LC X 6, DUPLEX, 50µm OM3, SPLICE, WITH FAN-OUT
FSCS212DLCP	SPLICE CASSETTE, B & C, LC X 6, DUPLEX, 50µm OM2, SPLICE, WITH FAN-OUT
FSCS112DLCP	SPLICE CASSETTE, B & C, LC X 6, DUPLEX, 62.5µm OM1, SPLICE, WITH FAN-OUT
OCC PART NO.	DESCRIPTION

UNCONTROLLED COPY

UNLESS OTHERWISE SPECIFIED
DIMENSIONS ARE IN INCHES.
TOLERANCES: FRACTIONS ±1/32"
ANGLES ±1/2°
3 PLACE DECIMALS ±.005"
2 PLACE DECIMALS ±.01"

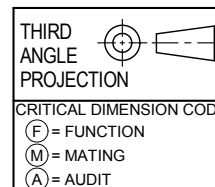


5290 Concourse Drive
Roanoke, VA 24019
Phone: 800-622-7711
Fax: 540-265-0724
www.occfiber.com

NOTES: UNLESS OTHERWISE SPECIFIED.

1. INCLUDES SUPPLIED HARDWARE:

- (15) SLEEVE, FIBER PROTECTION, 40mm LONG
- (1) CLAMP, CABLE ENTRY, SPLICE CASSETTE
- (1) HOLDER, 12 SPLICE SLEEVE, SPLICE CASSETTE



MATERIAL SEE BILL OF MATERIAL	CHECKED J.HOWE	DATE 11/21/19
FINISH SEE NOTES	ENGINEER J.YANIK	DATE 11/18/19
	APPROVED J.CALLOWAY	DATE 9/3/20
	PREVIOUS DWG	
	NEXT DWG	

DRAWN D.HOLBERT	DATE 11/18/19
CHECKED J.HOWE	DATE 11/21/19
ENGINEER J.YANIK	DATE 11/18/19
APPROVED J.CALLOWAY	DATE 9/3/20
PREVIOUS DWG	
NEXT DWG	

DWG TITLE CUSTOMER DRAWING, SPLICE CASSETTE ASSEMBLY, LC ADAPTER PLATE (LOADED)		
SIZE B	DWG NO. C113358	REV B
FILENAME C113358B.dft	SCALE NONE	SHEET 1 OF 1

PROPRIETARY AND CONFIDENTIAL