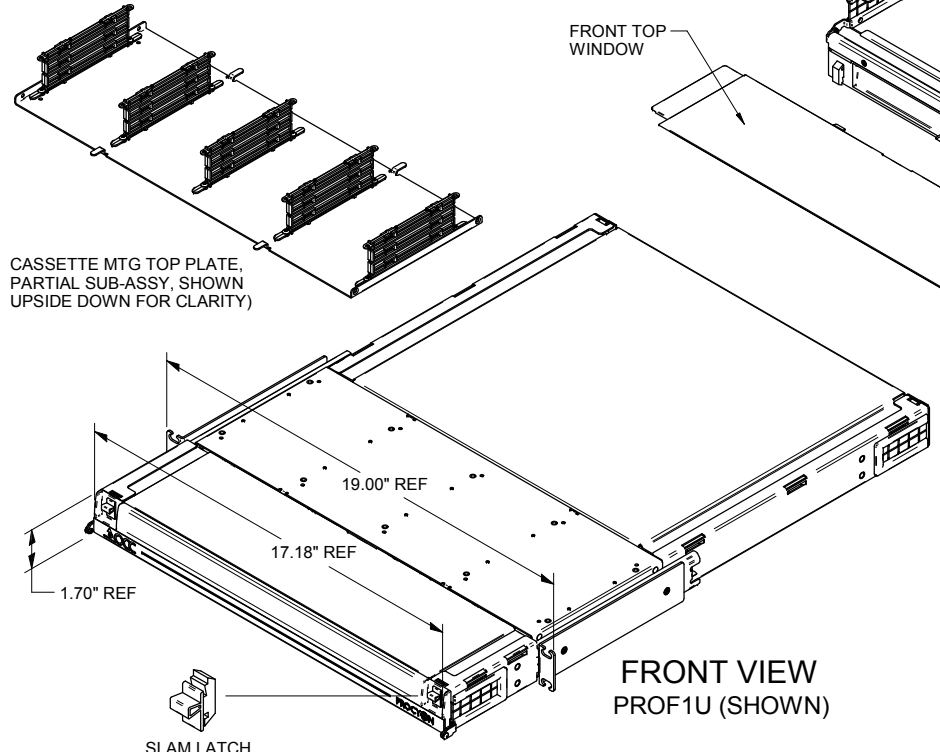
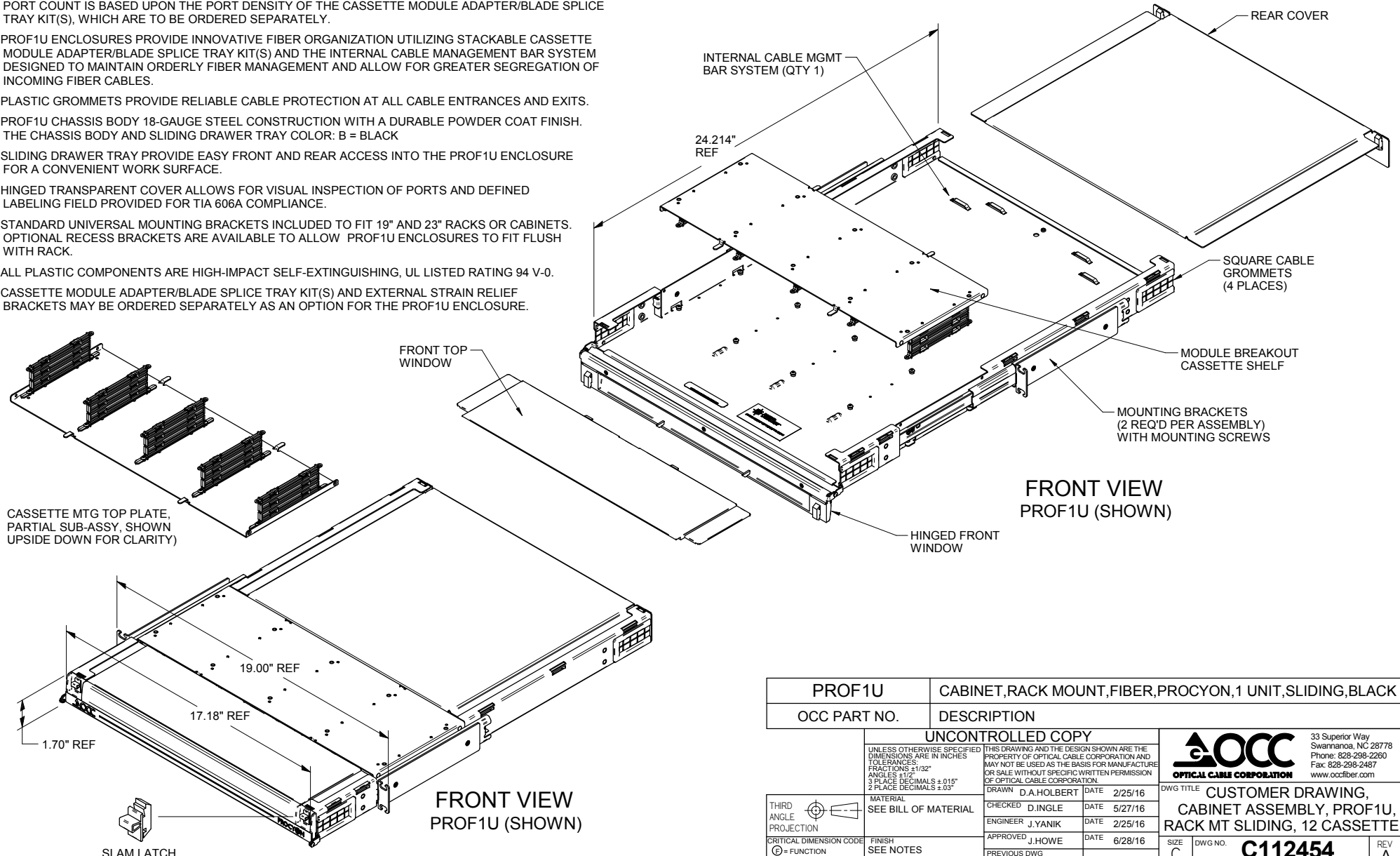


SPECIFICATIONS

FEATURES & BENEFITS:

- OPTICAL CABLE CORPORATION'S, PROF1U SERIES PROCYON FIBER OPTIC CROSS CONNECT ENCLOSURES PROVIDE FIBER MANAGEMENT, CONNECTIVITY, AND DISTRIBUTION FOR 6-96 FIBERS. ACCOMMODATES ALL CROSS CONNECT FUNCTIONS (SPlicing, TERMINATION, AND INTERCONNECTION) FOR OUTSIDE PLANT, BACKBONE, AND BUILDING CABLES.
- ACCOMMODATES OCC CASSETTE MODULE ADAPTER/BLADE SPLICE TRAY KIT(S). PROF1U ENCLOSURE PORT COUNT IS BASED UPON THE PORT DENSITY OF THE CASSETTE MODULE ADAPTER/BLADE SPLICE TRAY KIT(S), WHICH ARE TO BE ORDERED SEPARATELY.
- PROF1U ENCLOSURES PROVIDE INNOVATIVE FIBER ORGANIZATION UTILIZING STACKABLE CASSETTE MODULE ADAPTER/BLADE SPLICE TRAY KIT(S) AND THE INTERNAL CABLE MANAGEMENT BAR SYSTEM DESIGNED TO MAINTAIN ORDERLY FIBER MANAGEMENT AND ALLOW FOR GREATER SEGREGATION OF INCOMING FIBER CABLES.
- PLASTIC GROMMETS PROVIDE RELIABLE CABLE PROTECTION AT ALL CABLE ENTRANCES AND EXITS.
- PROF1U CHASSIS BODY 18-GAUGE STEEL CONSTRUCTION WITH A DURABLE POWDER COAT FINISH. THE CHASSIS BODY AND SLIDING DRAWER TRAY COLOR: B = BLACK
- SLIDING DRAWER TRAY PROVIDE EASY FRONT AND REAR ACCESS INTO THE PROF1U ENCLOSURE FOR A CONVENIENT WORK SURFACE.
- HINGED TRANSPARENT COVER ALLOWS FOR VISUAL INSPECTION OF PORTS AND DEFINED LABELING FIELD PROVIDED FOR TIA 606A COMPLIANCE.
- STANDARD UNIVERSAL MOUNTING BRACKETS INCLUDED TO FIT 19" AND 23" RACKS OR CABINETS. OPTIONAL RECESS BRACKETS ARE AVAILABLE TO ALLOW PROF1U ENCLOSURES TO FIT FLUSH WITH RACK.
- ALL PLASTIC COMPONENTS ARE HIGH-IMPACT SELF-EXTINGUISHING, UL LISTED RATING 94 V-0.
- CASSETTE MODULE ADAPTER/BLADE SPLICE TRAY KIT(S) AND EXTERNAL STRAIN RELIEF BRACKETS MAY BE ORDERED SEPARATELY AS AN OPTION FOR THE PROF1U ENCLOSURE.

"OPTICAL CABLE CORPORATION (OCC)
RESERVES THE RIGHT TO REVISE ANY
AND ALL CABINET SPECIFICATIONS."
UNCONTROLLED COPY



PROF1U		CABINET, RACK MOUNT, FIBER, PROCYON, 1 UNIT, SLIDING, BLACK	
OCC PART NO.		DESCRIPTION	
UNCONTROLLED COPY			
<small>UNLESS OTHERWISE SPECIFIED THIS DRAWING AND THE DESIGN SHOWN ARE THE PROPERTY OF OPTICAL CABLE CORPORATION AND MAY NOT BE USED AS THE BASIS FOR MANUFACTURE OR SALE WITHOUT SPECIFIC WRITTEN PERMISSION OF OPTICAL CABLE CORPORATION.</small>		<small>33 Superior Way Swannanoa, NC 28778 Phone: 828-298-2260 Fax: 828-298-2487 www.occfiber.com</small>	
<small>TOLERANCES: FRACTIONS ±1/32" ANGLES ±1/2° 3 PLACE DECIMALS ±.015" 2 PLACE DECIMALS ±.03"</small>		<small>DRAWN D.A.HOLBERT DATE 2/25/16</small>	
<small>MATERIAL SEE BILL OF MATERIAL</small>		<small>CHECKED D.INGLE DATE 5/27/16</small>	
<small>FINISH SEE NOTES</small>		<small>ENGINEER J.YANIK DATE 2/25/16</small>	
<small>THIRD ANGLE PROJECTION</small>		<small>APPROVED J.HOWE DATE 6/28/16</small>	
<small>CRITICAL DIMENSION CODE</small>		<small>PREVIOUS DWG</small>	
<small>⊕ = FUNCTION</small>		<small>FILENAME C112454A.dft</small>	
<small>⊙ = MATING</small>		<small>SCALE: NONE</small>	
<small>⊗ = AUDIT</small>		<small>SHEET 1 OF 1</small>	
		<small>REV A</small>	



DWG TITLE: **CUSTOMER DRAWING, CABINET ASSEMBLY, PROF1U, RACK MT SLIDING, 12 CASSETTE**

SIZE: **C** DWG NO.: **C112454**