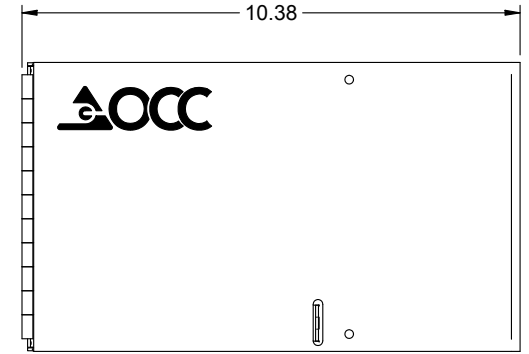
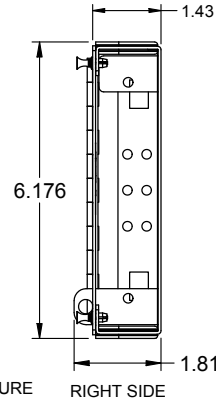
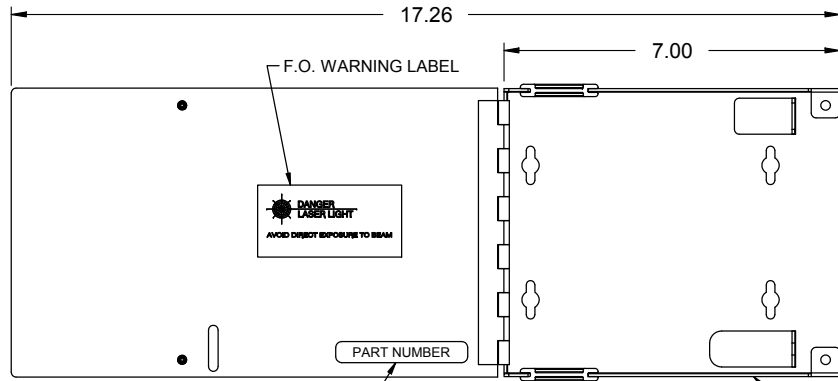
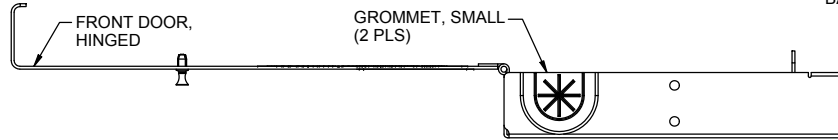


"OPTICAL CABLE CORPORATION (OCC)
RESERVES THE RIGHT TO REVISE ANY
AND ALL DESIGN SPECIFICATIONS."

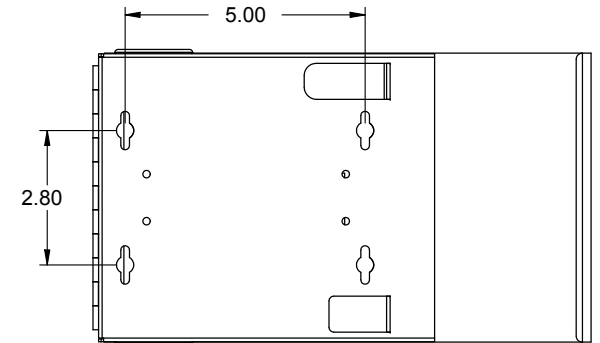
UNCONTROLLED COPY



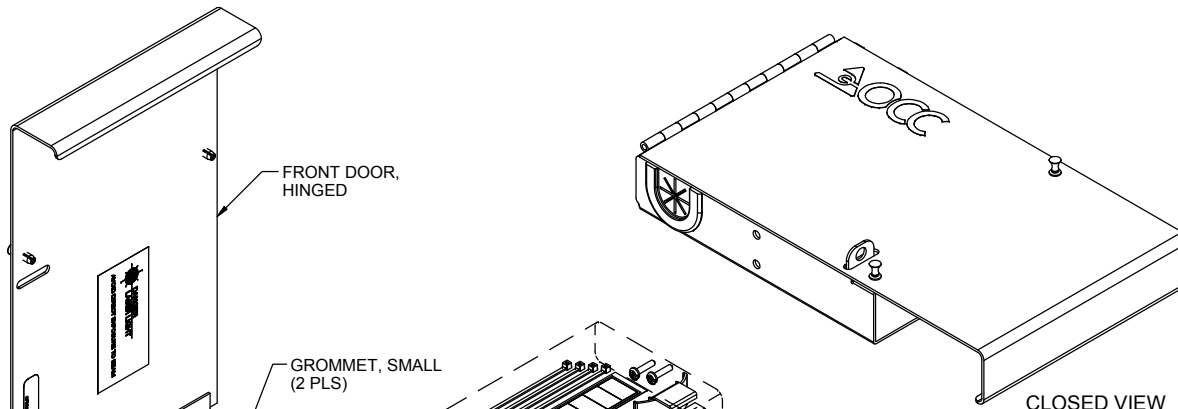
TOP VIEW (CLOSED)



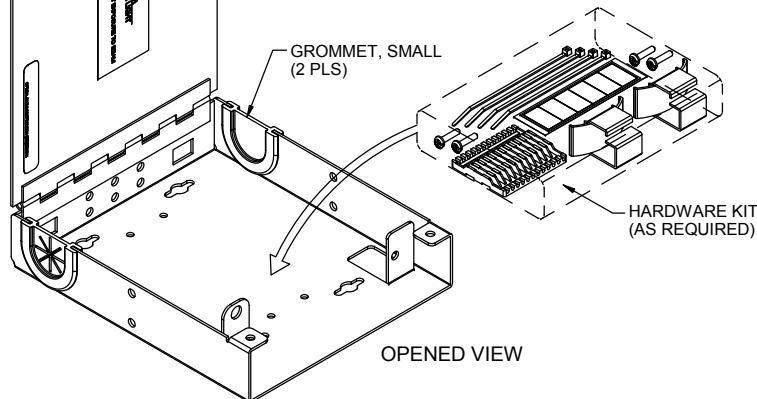
BOTTOM VIEW



REAR VIEW
(MOUNTING LOCATIONS)




CLOSED VIEW



OPENED VIEW

- NOTES: UNLESS OTHERWISE SPECIFIED.
- ENCLOSURE COLORS AVAILABLE "A"-ALMOND, "B"-BLACK.
 - INSTRUCTION SHEET (1) AND HARDWARE KIT (1) ARE INCLUDED IN ENCLOSURE IN AN INDIVIDUAL PACKAGE.
 - CABLE HOLDERS AND OTHER PLASTIC MATERIAL PARTS MEET UL 94 V-0 P.P.O.

ZDMB6AE	ZONE DIST BOX, WALL MNT, FIBER ENCLOSURE, EXTENDED, ALMOND
ZDMB6BE	ZONE DIST BOX, WALL MNT, FIBER ENCLOSURE, EXTENDED, BLACK
OCC PART NO.	DESCRIPTION
UNLESS OTHERWISE SPECIFIED DIMENSIONS ARE IN INCHES. TOLERANCES: FRACTIONS ±1/32" ANGLES ±1/2° 3 PLACE DECIMALS ±.005" 2 PLACE DECIMALS ±.01"	
THIS DRAWING AND THE DESIGN SHOWN ARE THE PROPERTY OF OPTICAL CABLE CORPORATION AND MAY NOT BE USED AS THE BASIS FOR MANUFACTURE OR SALE WITHOUT SPECIFIC WRITTEN PERMISSION OF OPTICAL CABLE CORPORATION.	
DRAWN D.A.HOLBERT	DATE 3/20/17
CHECKED J.HOWE	DATE 3/23/17
ENGINEER J.YANK	DATE 3/20/17
APPROVED D.JINGLE	DATE 3/27/19
PREVIOUS DWG	
NEXT DWG	FILENAME C112750B.dft
 33 Superior Way Swannanoa, NC 28778 Phone: 828-298-2260 Fax: 828-298-2487 www.occlber.com	
ZONE DISTRIBUTION BOX 6 PORT, EXTENDED	
SIZE C	DWG NO. C112750
REV B	SHEET 1 OF 1

