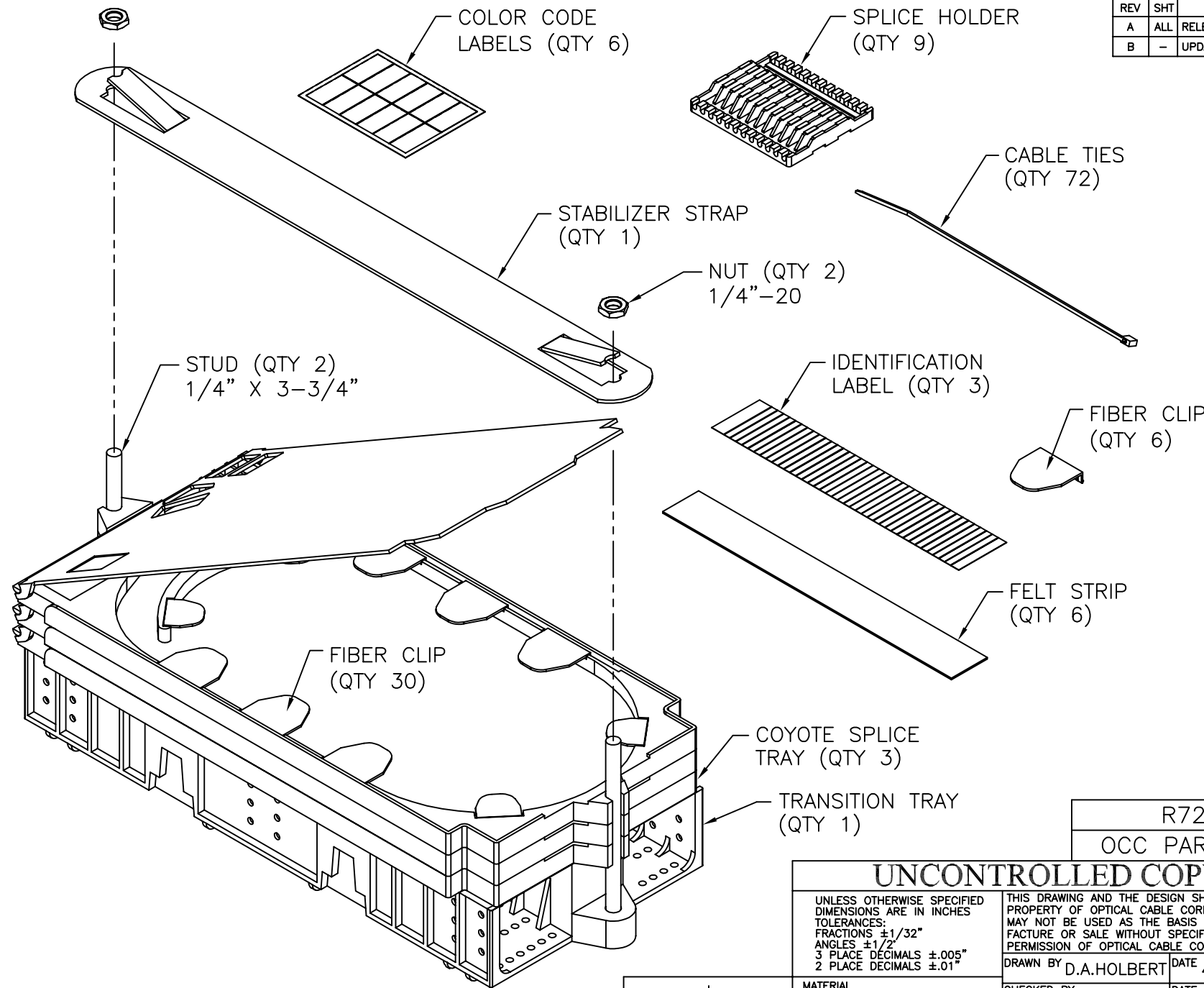
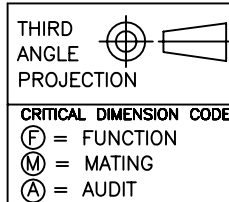


		REVISIONS			
REV	SHT	DESCRIPTION	DATE	ECN	CHECKED
A	ALL	RELEASE NEW	4/11/02	NEW	RBS
B	-	UPDATED: DRAWING VIEWS	4/21/03	-	DAH



NOTES: UNLESS OTHERWISE SPECIFIED.
 1. SPLICE TRAY SUPPLIED WITH PARTS, AS SHOWN.



UNLESS OTHERWISE SPECIFIED DIMENSIONS ARE IN INCHES
 TOLERANCES:
 FRACTIONS ±1/32"
 ANGLES ±1/2"
 3 PLACE DECIMALS ±.005"
 2 PLACE DECIMALS ±.01"

MATERIAL
 SEE BILL OF MATERIAL

FINISH
 SEE NOTES

UNCONTROLLED COPY

THIS DRAWING AND THE DESIGN SHOWN ARE THE PROPERTY OF OPTICAL CABLE CORPORATION AND MAY NOT BE USED AS THE BASIS FOR MANUFACTURE OR SALE WITHOUT SPECIFIC WRITTEN PERMISSION OF OPTICAL CABLE CORPORATION.

DRAWN BY D.A.HOLBERT DATE 4/11/02
 CHECKED BY R.B.SMITH DATE 4/16/02
 ENGINEER J.YANIK DATE 4/11/02
 APPROVED H.JOHNSON DATE 3/8/10

PREVIOUS DWG
 NEXT DWG

R72S	SPLICING KIT, RTC72
OCC PART NO.	DESCRIPTION

5290 Concourse Drive
 Roanoke, VA 24019
 Phone: 800-622-7711
 Fax: 540-265-0724
 www.occfiber.com

DWG TITLE		SPLICING KIT, R72S	
SIZE	DWG NO.	REV	
B	C10123702	B	
SCALE	SHEET	1 OF 1	
NONE			

FILENAME C10123702B.DWG