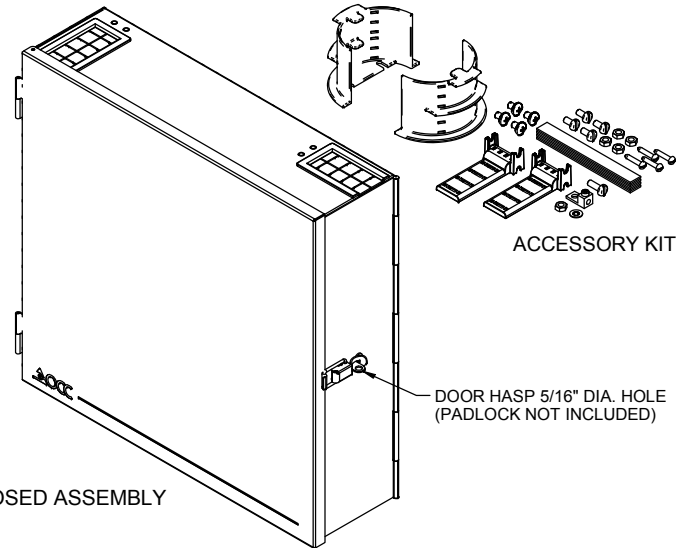
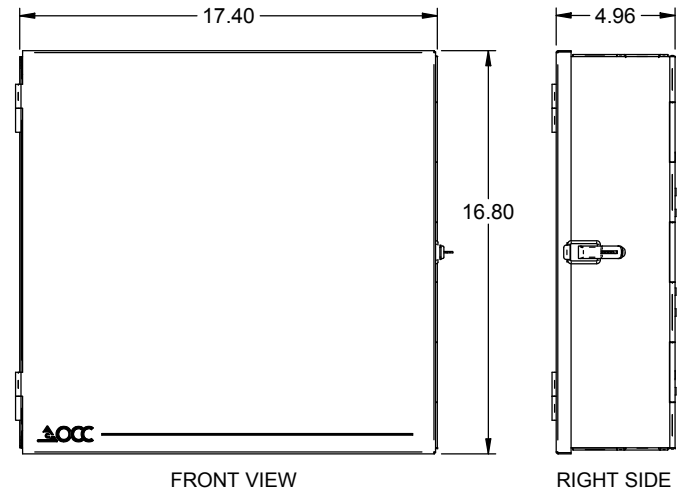


4APB BULKHEAD  
WTC4APB  
WTC4APBD



WTC4APB	WTC 4APB ENCLOSURE
WTC4APBD	WTC 4APB ENCLOSURE with LOCKABLE INNER DOOR
WTC6APB	WTC 6APB ENCLOSURE
WTC6APBD	WTC 6APB ENCLOSURE with LOCKABLE INNER DOOR
OCC PART NO.	DESCRIPTION
UNLESS OTHERWISE SPECIFIED THIS DRAWING AND THE DESIGN SHOWN ARE THE PROPERTY OF OPTICAL CABLE CORPORATION AND DIMENSIONS ARE IN INCHES. MAY NOT BE USED AS THE BASIS FOR MANUFACTURE OR SALE WITHOUT SPECIFIC WRITTEN PERMISSION OF OPTICAL CABLE CORPORATION.	
TOLERANCES: FRACTIONS ±1/32" ANGLES ±1/2° 3 PLACE DECIMALS ±.015" 2 PLACE DECIMALS ±.03"	
MATERIAL	CABINET BASE (CHASSIS) IS CRS, 18 GA. (.048" THK.)
CHECKED J.HOWE	DATE 10/24/13
ENGINEER J.YANIK	DATE 10/24/13
APPROVED J.CALLOWAY	DATE 3/30/20
PREVIOUS DWG	
NEXT DWG	
FILENAME C111677S1B.dft	SCALE: NONE SHEET 1 OF 2

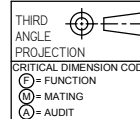


DWG TITLE  
**CABINET ASSEMBLY, WTC, 6 ADAPTER PLATE BULKHEAD**

SIZE C DWG NO. **C111677** REV B

"OPTICAL CABLE CORPORATION (OCC) RESERVES THE RIGHT TO REVISE ANY AND ALL DESIGN SPECIFICATIONS."  
**UNCONTROLLED COPY**

MEETS NEMA12 REQUIREMENT



**PROPRIETARY AND CONFIDENTIAL**