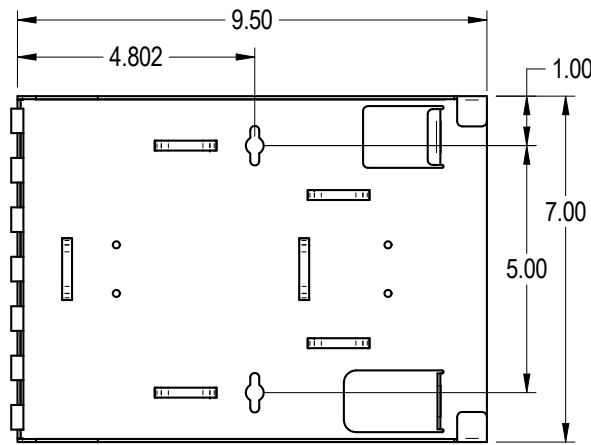
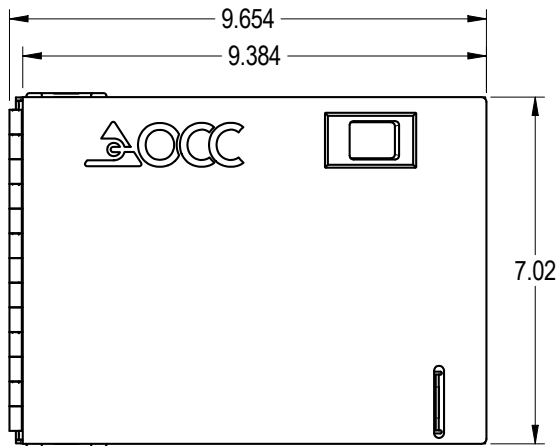


"OPTICAL CABLE CORPORATION (OCC)
RESERVES THE RIGHT TO REVISE ANY
AND ALL DESIGN SPECIFICATIONS."

UNCONTROLLED COPY



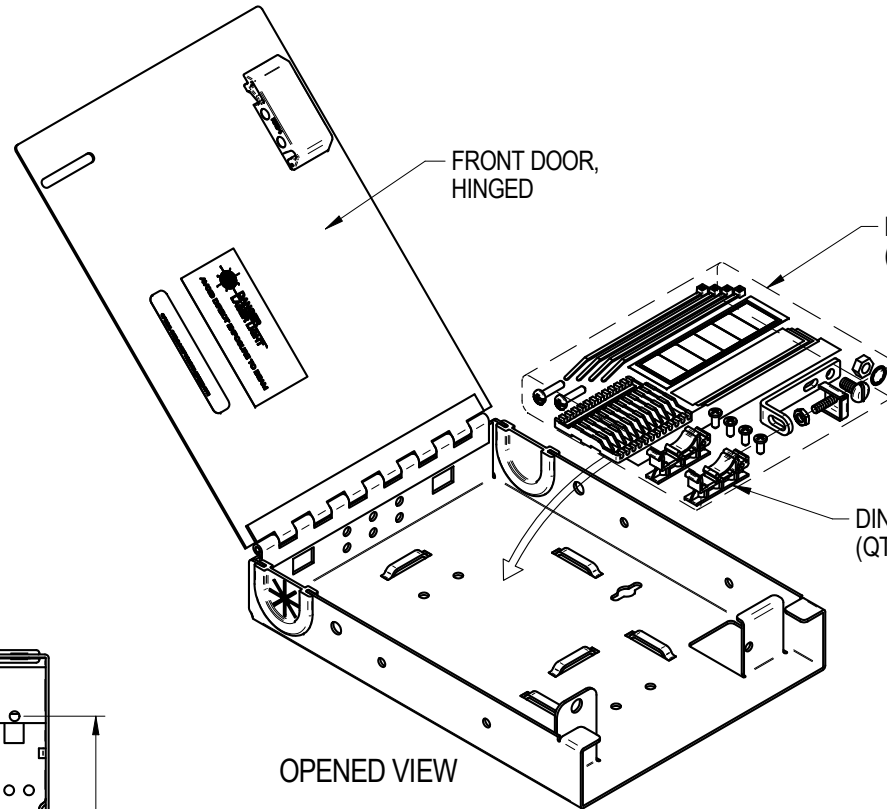
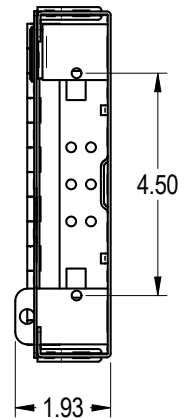
INTERNAL VIEW
(BASE)



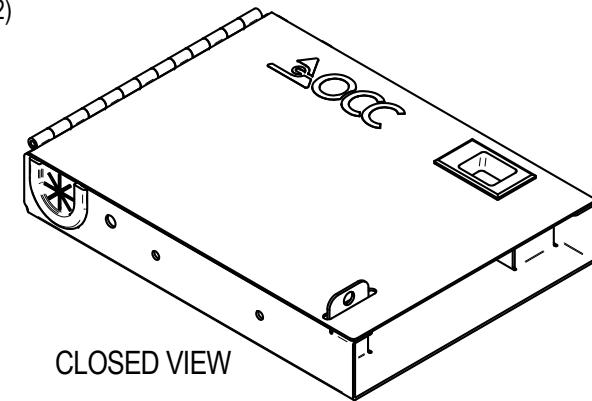
FRONT VIEW



GROMMET, SMALL
(2 PLS)



OPENED VIEW



CLOSED VIEW

ZDMBC1AP	ZONE DIST BOX, WALLMOUNT, FIBER CASSETTE ENCLOSURE, BLACK		
OCC PART NO.	DESCRIPTION		
UNLESS OTHERWISE SPECIFIED DIMENSIONS ARE IN INCHES. TOLERANCES: FRACTIONS ±1/32" ANGLES ±1/2° 3 PLACE DECIMALS ±.005" 2 PLACE DECIMALS ±.01"	THIS DRAWING AND THE DESIGN SHOWN ARE THE PROPERTY OF OPTICAL CABLE CORPORATION AND MAY NOT BE USED AS THE BASIS FOR MANUFACTURE OR SALE WITHOUT SPECIFIC WRITTEN PERMISSION OF OPTICAL CABLE CORPORATION.		
DRAWN	D.A.HOLBERT	DATE	4/14/09
CHECKED	J.HOWE	DATE	8/12/15
ENGINEER	J.YANIK	DATE	4/14/09
APPROVED	J.CALLOWAY	DATE	7/23/20
PREVIOUS DWG			
NEXT DWG	FILENAME	C110767C.dft	SCALE: 1:3
		SHEET	1 OF 1



33 Superior Way
Swannanoa, NC 28778
Phone: 828-298-2260
Fax: 828-298-2487
www.occfiber.com

DWG TITLE **ZONE DISTRIBUTION BOX,
WALL MOUNT, 7 X 9.5, OCC**

SIZE **B** DWG NO. **C110767** REV **C**

THIRD ANGLE PROJECTION	
CRITICAL DIMENSION CODE	
(F) = FUNCTION	
(M) = MATING	
(A) = AUDIT	

MATERIAL	SEE BILL OF MATERIAL
FINISH	N/A

PROPRIETARY AND CONFIDENTIAL