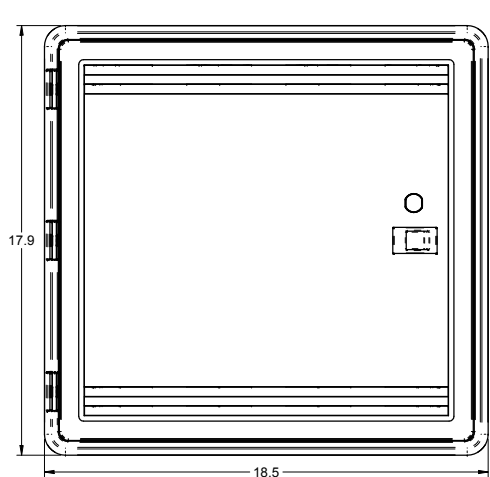
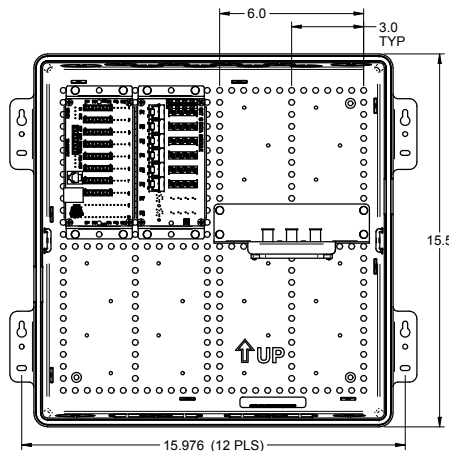


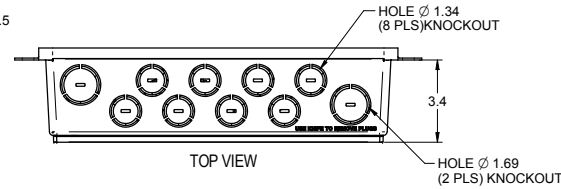
"OPTICAL CABLE CORPORATION (OCC)
RESERVES THE RIGHT TO REVISE ANY
AND ALL DESIGN SPECIFICATIONS."
UNCONTROLLED COPY



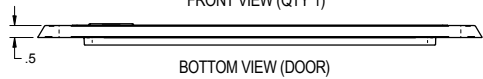
FRONT VIEW (QTY 1)



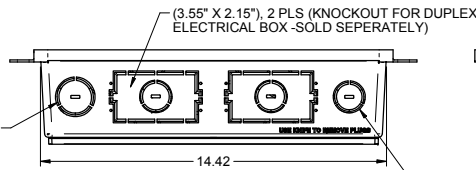
FRONT VIEW (QTY 1)



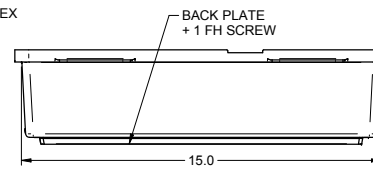
TOP VIEW



BOTTOM VIEW (DOOR)



MSDE15PT408D66V6
BOTTOM VIEW



SIDE VIEW

HOLE \varnothing 1.65
KNOCKOUT

HOLE \varnothing 1.34
(3 PLS) KNOCKOUT

DIMENSIONS

- ENCLOSURE: 15.0" X 14.42" X 3.9"
- COVER: 17.9" X 18.5" X .5" THK

MATERIAL

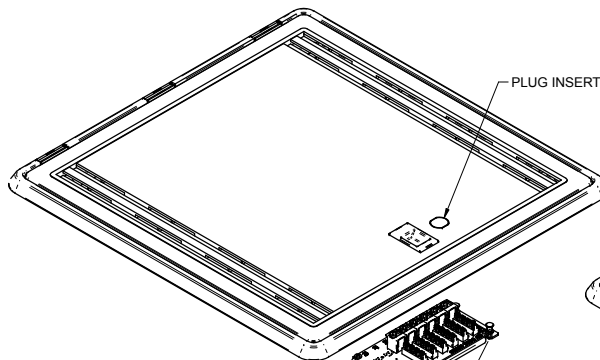
- UL94-V0 ABS PLASTIC CONSTRUCTION
- COLOR: WHITE

SAFETY

- UL 1863, COMMUNICATIONS CIRCUIT ACCESSORIES
- UL 2416, STANDARD FOR AUDIO/VIDEO, INFORMATION AND COMMUNICATION TECHNOLOGY EQUIPMENT CABINETS, ENCLOSURES AND RACK SYSTEMS

FEATURES

- MOUNTING TABS FOR STANDARD 16" ON-CENTER STUD SPACING
- ENCLOSURES MOUNT FLUSH WITH WALL WHEN USING STANDARD 2x4 STUDS 1/2" DRYWALL
- PLASTIC CONSTRUCTION MINIMIZES WIRELESS SIGNAL DEGRADATION
- VERSATILE PEGBOARD MOUNTING CONFIGURATION
- HINGED VENTED DOORS FOR HEAT DISSIPATION
- OPTIONAL LOCK (PURCHASED SEPARATELY)
- DOORS MAY BE REVERSE MOUNTED FOR LEFT OR RIGHT SWING

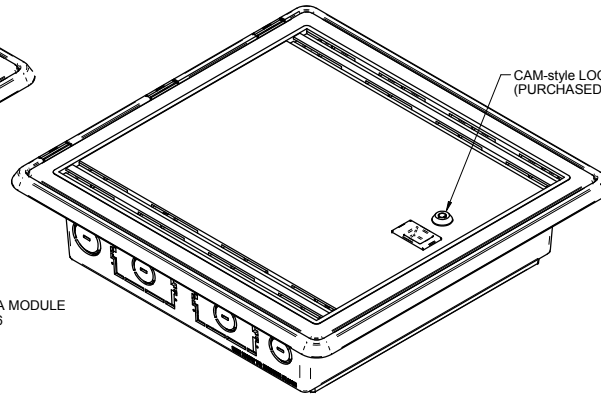


PLUG INSERT

CAM-style LOCK with KEY SET
(PURCHASED SEPARATELY)

4 INPUT 6 OUTLET
VOICE MODULE, TELCO

6 PORT DATA MODULE
CATAGORY 6



CLOSED ASSEMBLY
ISOMETRIC (SHOWN)

MSDE15PT406D66V4
ISOMETRIC (SHOWN)
EXPLODED VIEW

4-WAY 1GHz
BIDIRECTIONAL
SPLITTER

MSDE15PT408D66V6	MSDEP15, 8 PORT TELCO, CAT6, 6 PORT DATA MOD, 6-WAY SPLITTER
MSDE15PT408D66V4	MSDEP15, 8 PORT TELCO, CAT6, 6 PORT DATA MOD, 4-WAY SPLITTER
MSDE15PT408D66V0	MSDEP15, 8 PORT TELCO, CAT6, 6 PORT DATA MOD, NO SPLITTER
MSDE15PT406D66V6	MSDEP15, 6 PORT TELCO, CAT6, 6 PORT DATA MOD, 6-WAY SPLITTER
MSDE15PT406D66V4	MSDEP15, 6 PORT TELCO, CAT6, 6 PORT DATA MOD, 4-WAY SPLITTER
MSDE15PT406D66V0	MSDEP15, 6 PORT TELCO, CAT6, 6 PORT DATA MOD, NO SPLITTER
MSDE15PT000D66V6	MSDEP15, NO TELCO, CAT6, 6 PORT DATA MOD, 6-WAY SPLITTER
MSDE15PT000D66V4	MSDEP15, NO TELCO, CAT6, 6 PORT DATA MOD, 4-WAY SPLITTER
MSDE15PT000D66V0	MSDEP15, NO TELCO, CAT6, 6 PORT DATA MOD, NO SPLITTER

OCC PART NUMBER	DESCRIPTION
UNLESS OTHERWISE SPECIFIED THIS DRAWING AND THE DESIGN SHOWN ARE THE PROPERTY OF OPTICAL CABLE CORPORATION AND DIMENSIONS ARE IN INCHES. TOLERANCES: FRACTIONS ±1/32 ANGLES ±1/2° 3 PLACE DECIMALS ±.005" 2 PLACE DECIMALS ±.01"	
MATERIAL: UL94-V0 ABS PLASTIC (ENCLOSURE, DOOR, AND DOOR FRAME)	
FINISH: COLOR: WHITE	
CHECKED J.HOWE	DATE 11/3/20
ENGINEER J.YANIK	DATE 9/28/20
APPROVED J.CALLOWAY	DATE 11/19/20
PREVIOUS DWG	
NEXT DWG	
DRAWN D.A.HOLBERT	DATE 9/28/20
CHECKED J.HOWE	DATE 11/3/20
ENGINEER J.YANIK	DATE 9/28/20
APPROVED J.CALLOWAY	DATE 11/19/20
PREVIOUS DWG	
NEXT DWG	
FILENAME C113514A.dft	SCALE: 1:4 SHEET 1 OF 1



33 Superior Way
Swannanoa, NC 28778
Phone: 828-298-2260
Fax: 828-298-2487
www.occfiber.com

DWG TITLE
**MSDE15PTXXXD66VX
ASSEMBLY DRAWING**

SIZE C DWG NO. **C113514** REV A

PROPRIETARY AND CONFIDENTIAL