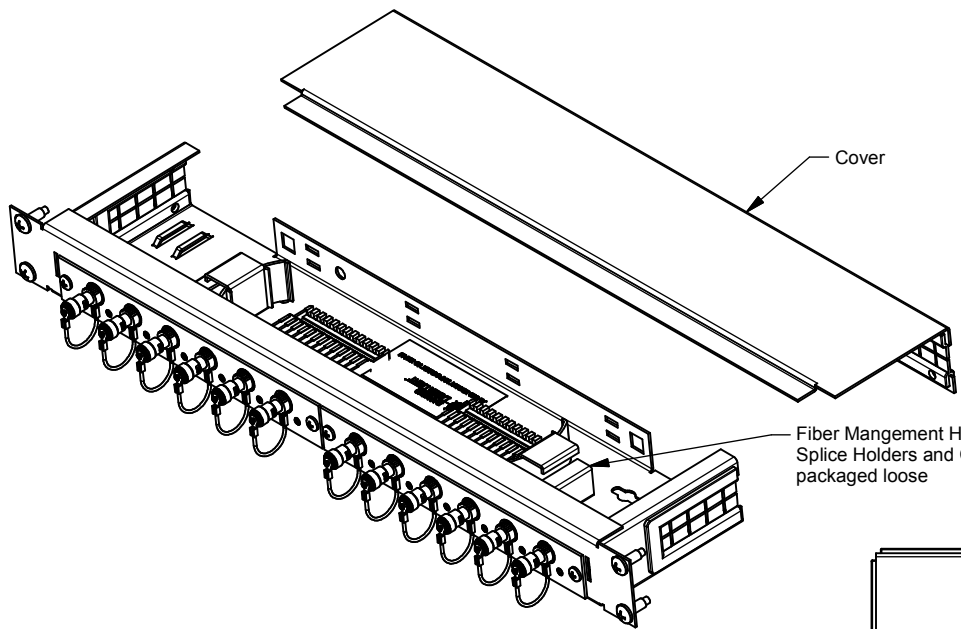
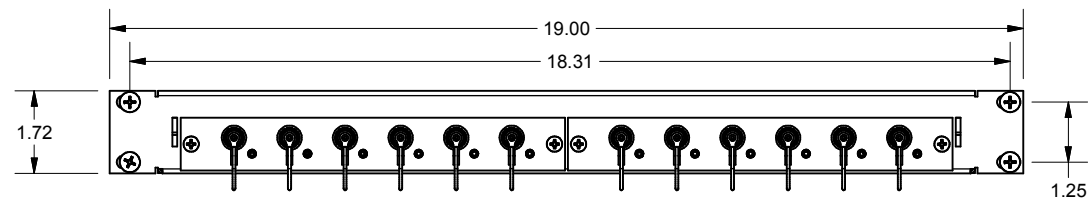
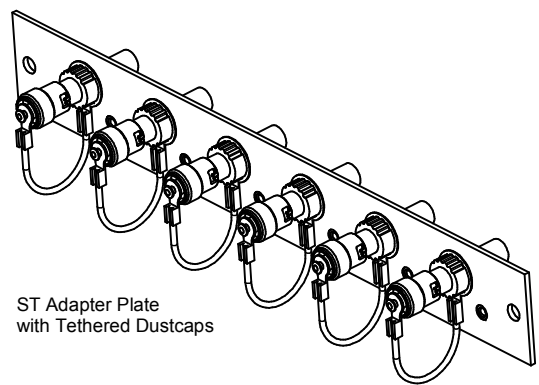
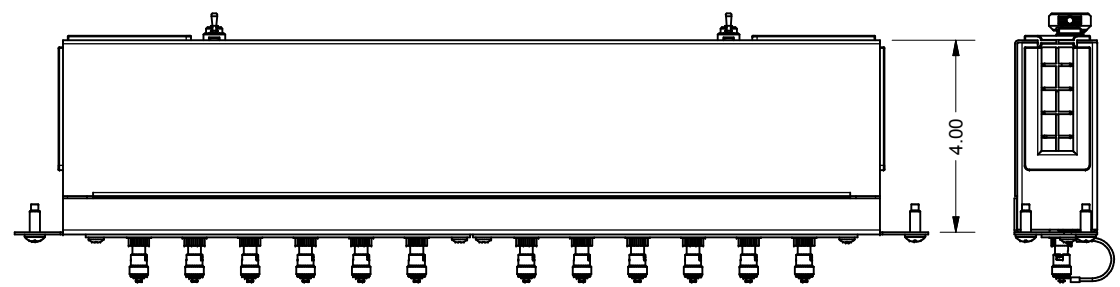


REVISION HISTORY			
REV	DESCRIPTION	DATE	APPROVED
A	Initial Release	2/9/2021	RP



ENCLOSURE MADE FROM 18GA STEEL, POWDER COATED BLACK  
ADAPTER PLATES MADE FROM 16 GA STEEL, POWDER COATED BLACK




PART NUMBER CONFIGURATOR		
Enclosure, Broadcast, 1RU, ST PANEL		
PART NUMBER	No of ST's "nn"	Custom Engraving "m"
RC1US2ST nn Y00 m	01 to 12	E - Yes N - No Engraving
Engraving if required must be defined at the time of order		

<p>THIRD ANGLE PROJECTION</p>	DRAWN rpenumatcha	2/1/2021
	CHECKED NG	2/4/2021
	APPROVED RP	2/4/2021

THIS DOCUMENT IS THE PROPERTY OF OPTICAL CABLE CORPORATION AND CONTAINS PROPRIETARY INFORMATION AND SHALL NOT BE DISCLOSED TO OTHERS OR DUPLICATED IN PART OR FULL OR USED FOR ANY OTHER PURPOSES OTHER THAN IN SUPPORT OF OUR VENDOR/PURCHASER RELATIONSHIP

TOLERANCES	
Unless Otherwise Specified	ANGULAR
LINEAR .X ± .05 .XX ± .020 .XXX ± .010	X ± 5° X.X ± 1°
All Dimensions are in inches DO NOT SCALE DRAWING	



1700 Capital Ave., Suite 150  
Plano, TX-75074  
(972)509-1500  
www.occfiber.com

OPTICAL CABLE CORPORATION FORMERLY APPLIED OPTICAL SYSTEMS

TITLE: Enclosure, 1RU, ST Panel

SIZE A	DWG NO RC1US2STxxY00x	REV A
SCALE	CAGE CODE: 335J8	SHEET 1 OF 1
	DESIGN STATUS Released	