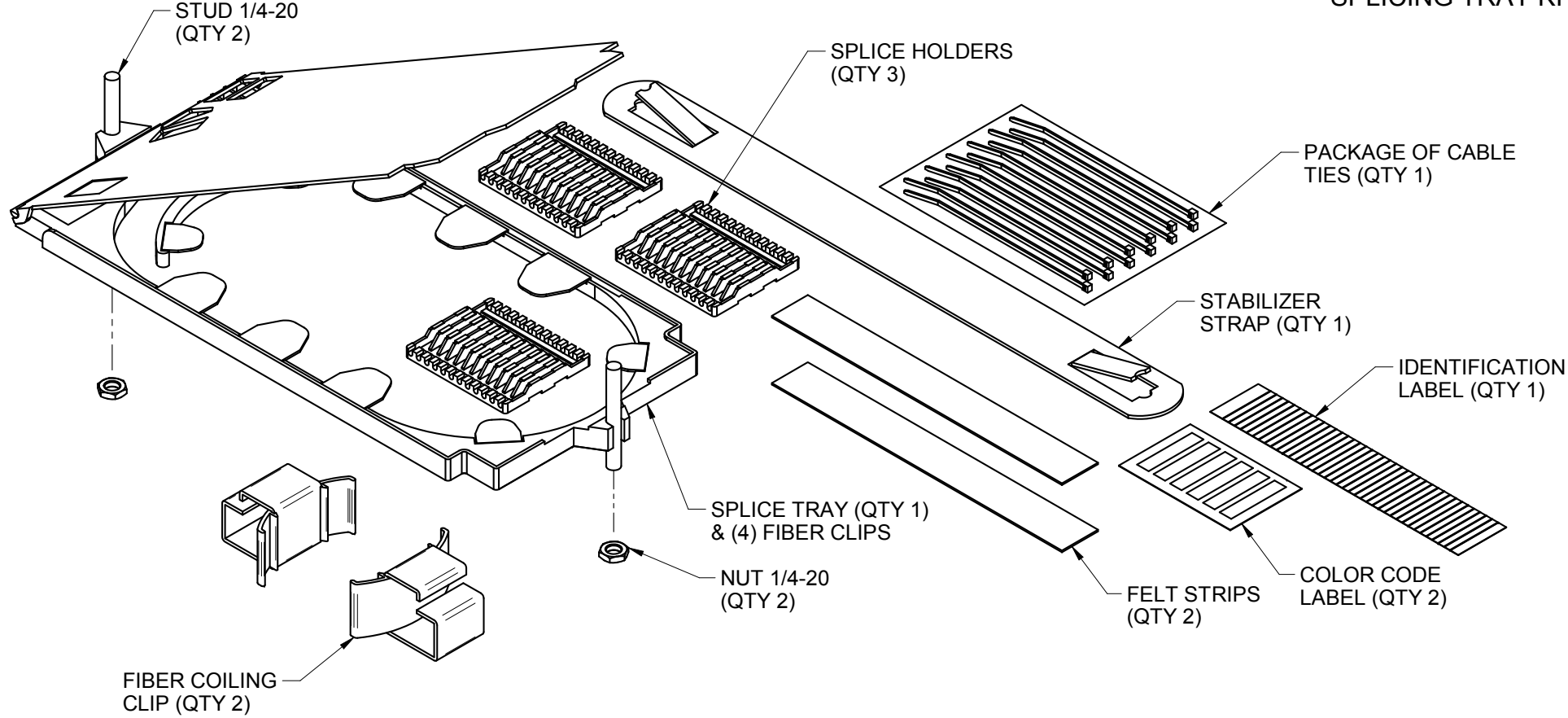


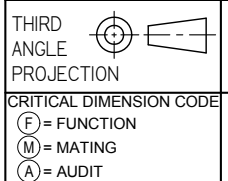
"OPTICAL CABLE CORPORATION (OCC) RESERVES THE RIGHT TO REVISE ANY SPLICING TRAY KIT SPECIFICATIONS."



NOTES: UNLESS OTHERWISE SPECIFIED.


1. SPLICING TRAY KIT IS PROVIDED WITH ITEMS SHOWN.

UNCONTROLLED COPY



UNLESS OTHERWISE SPECIFIED DIMENSIONS ARE IN INCHES. TOLERANCES: FRACTIONS $\pm 1/32"$ ANGLES $\pm 1/2^\circ$ 3 PLACE DECIMALS $\pm .005"$ 2 PLACE DECIMALS $\pm .01"$

MATERIAL SEE BILL OF MATERIAL
FINISH SEE NOTES

RS1U1T	SPLICING KIT, RTC/RTS, 1 UNIT, 1 TRAY		
OCC PART NO.	DESCRIPTION		
DRAWN D.A.HOLBERT		DATE 2/21/14	 <p>33 Superior Way Swannanoa, NC 28778 Phone: 828-298-2260 Fax: 828-298-2487 www.occfiber.com</p>
CHECKED S.PORACH	DATE 2/21/14	DWG TITLE	
ENGINEER J.YANIK	DATE 2/21/14	KIT, SPLICING TRAY, RTC/RTS, 1 UNIT, RS1U1T	
APPROVED J.HOWE	DATE 2/26/16	SIZE B	
PREVIOUS DWG		DWG NO. C11178201	REV B
NEXT DWG	FILENAME C11178201B.dft	SCALE: NONE	SHEET 1 OF 1