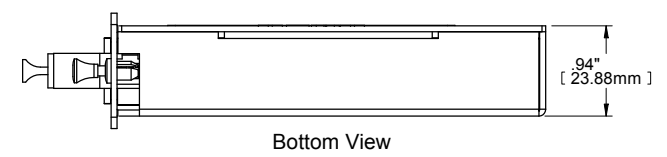
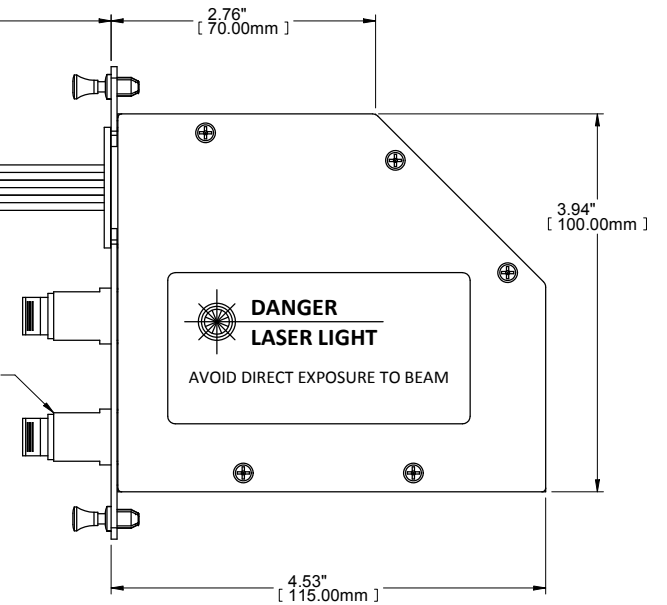
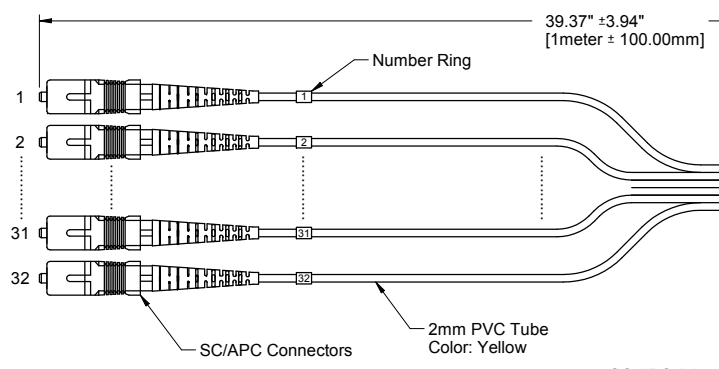
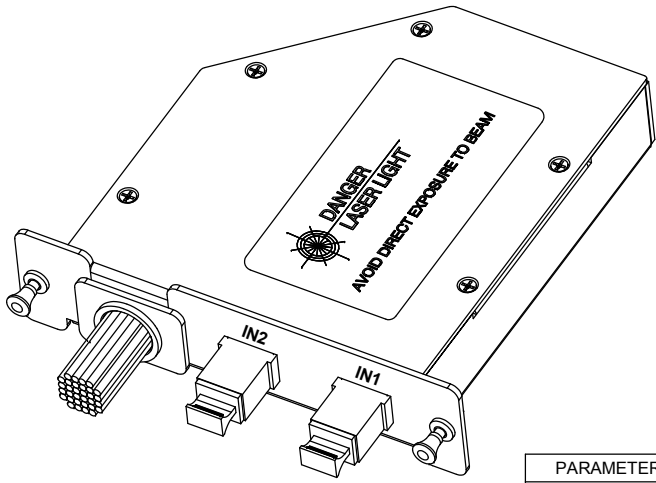


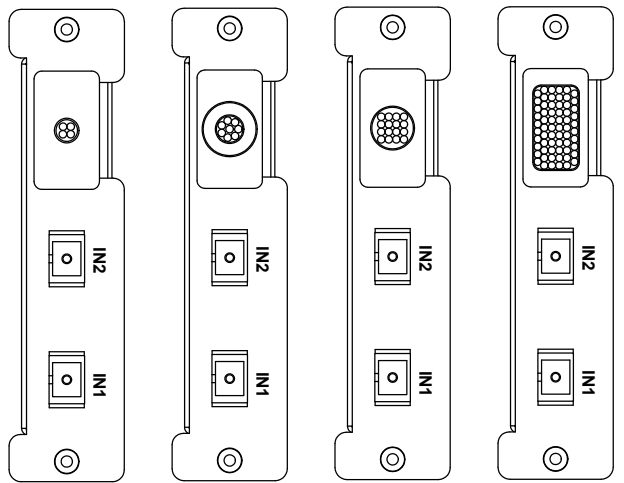
2X32 Cassette
Front View



Bottom View



2x32 Splitter Shown



2X4 Cassette 2X8 Cassette 2X16 Cassette 2X64 Cassette
Front View

PARAMETERS	2x4	2x8	2x16	2x32	2x64
OPERATING WAVELENGTH (nm)	1260nm to 1650nm				
INSERTION LOSS maximum (dB)	8.3	12.0	15.0	18.2	22.0
UNIFORMITY (dB)	1.4	1.7	2.0	2.2	2.7
PDL maximum (dB)	0.2	0.4	0.4	0.4	0.4
RETURN LOSS minimum (dB)	55dB				
OPERATING TEMP. (°C)	-40°C to +85°C				

PONC2X64SCAPC2	CASSETTE MODULE, POL SPLITTER w/2mm PIGTAILS, 2 X 64, SM, SCAPC
PONC2X32SCAPC2	CASSETTE MODULE, POL SPLITTER w/2mm PIGTAILS, 2 X 32, SM, SCAPC
PONC2X16SCAPC2	CASSETTE MODULE, POL SPLITTER w/2mm PIGTAILS, 2 X 16, SM, SCAPC
PONC2X8SCAPC2	CASSETTE MODULE, POL SPLITTER w/2mm PIGTAILS, 2 X 8, SM, SCAPC
PONC2X4SCAPC2	CASSETTE MODULE, POL SPLITTER w/2mm PIGTAILS, 2 X 4, SM, SCAPC
OCC PART NUMBER	DESCRIPTION

UNLESS OTHERWISE SPECIFIED, THIS DRAWING AND THE DESIGN SHOWN ARE THE PROPERTY OF OPTICAL CABLE CORPORATION AND DIMENSIONS ARE IN INCHES. TOLERANCES: FRACTIONS ±1/32" ANGLES ±1/2° 3 PLACE DECIMALS ±.015" 2 PLACE DECIMALS ±.03"	
MATERIAL SEE BILL OF MATERIAL	THIS DRAWING AND THE DESIGN SHOWN ARE THE PROPERTY OF OPTICAL CABLE CORPORATION AND DIMENSIONS ARE IN INCHES. TOLERANCES: FRACTIONS ±1/32" ANGLES ±1/2° 3 PLACE DECIMALS ±.015" 2 PLACE DECIMALS ±.03"
CHECKED J.HOWE	DATE 12/18/17
ENGINEER J.YANIK	DATE 12/14/14
APPROVED J.CALLOWAY	DATE 5/4/21
PREVIOUS DWG	
NEXT DWG	

OCC
OPTICAL CABLE CORPORATION

33 Superior Way
Swannanoa, NC 28778
Phone: 828-298-2260
Fax: 828-298-2487
www.occfiber.com

DWG TITLE: CASSETTE ASSY, ANGLED, PONC, 8-64 FIBER, SM, SCAPC

SIZE C DWG NO. **C113011** REV C

FILENAME: C113011C.dft SCALE: NONE SHEET 1 OF 1

"OPTICAL CABLE CORPORATION (OCC) RESERVES THE RIGHT TO REVISE ANY AND ALL DESIGN SPECIFICATIONS."
UNCONTROLLED COPY