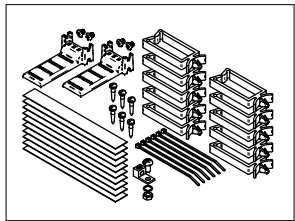
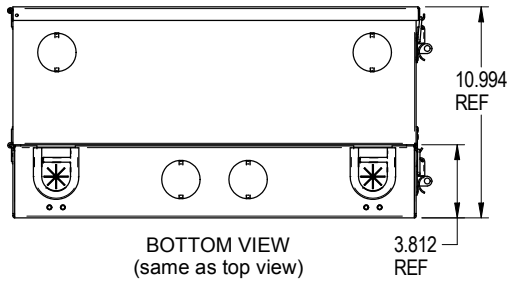
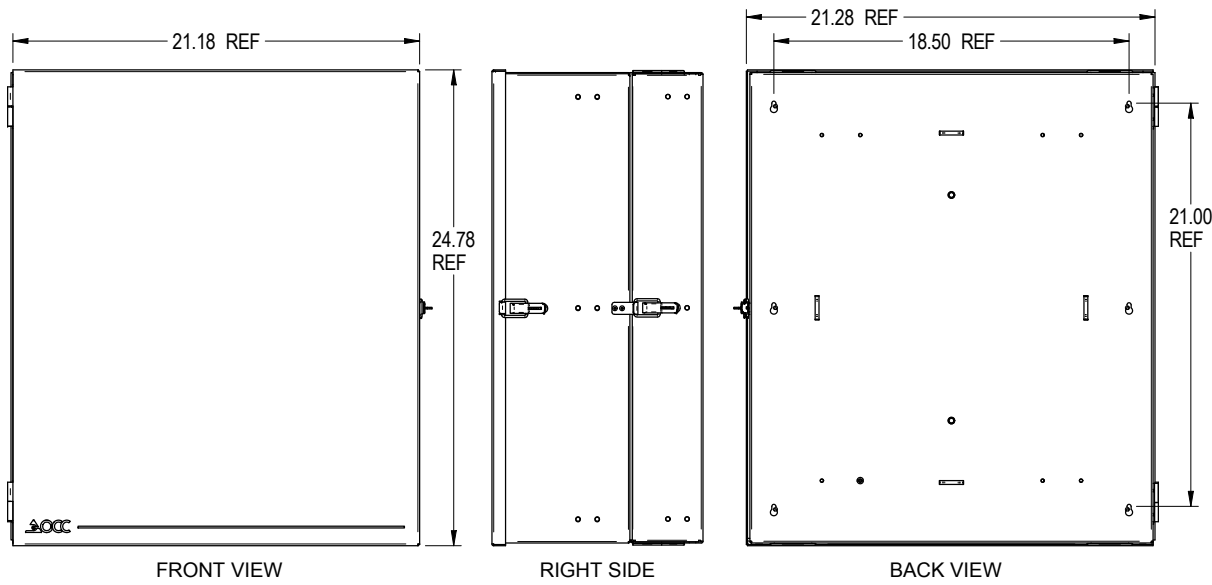
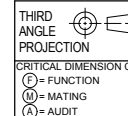
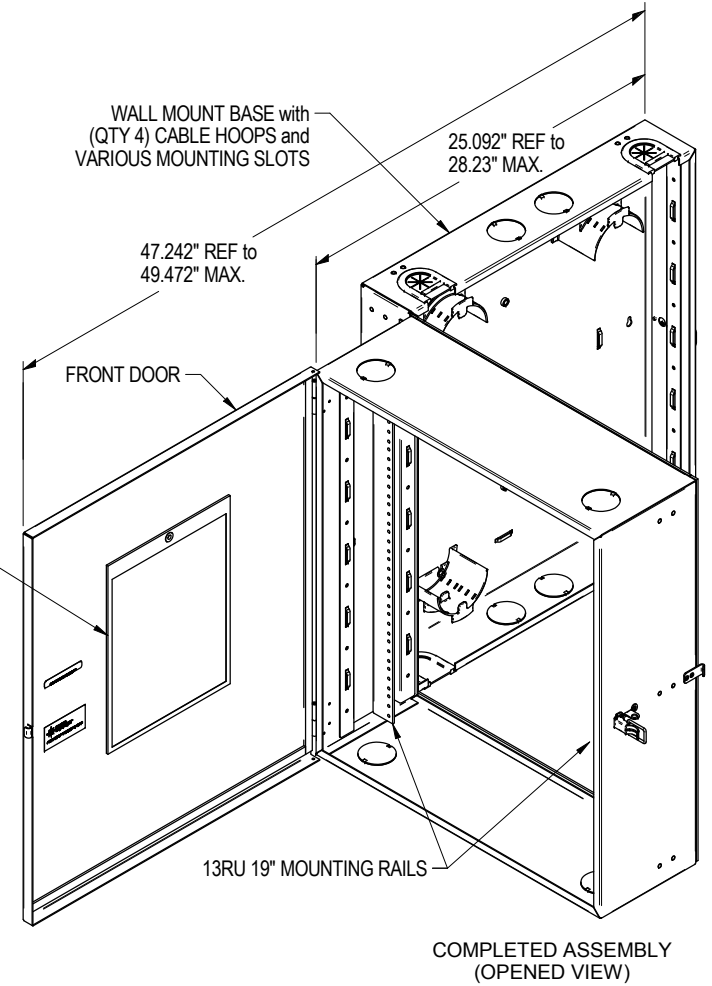
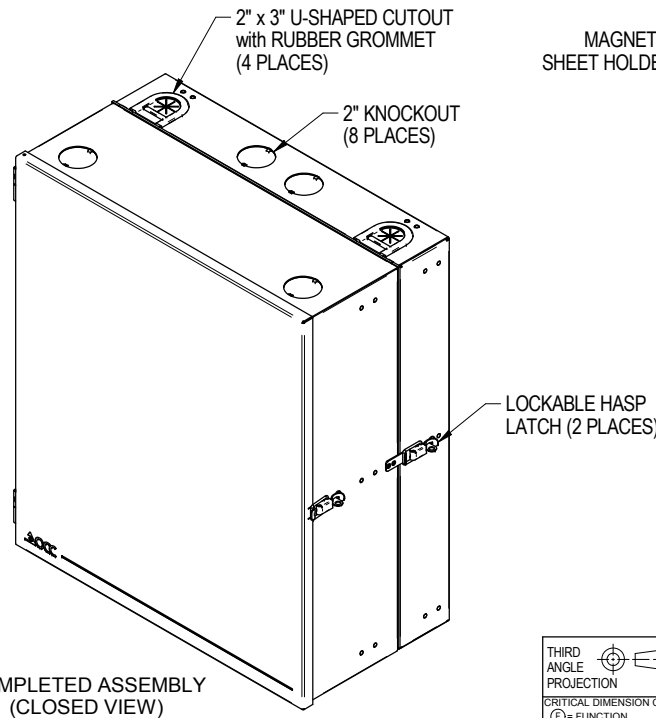


"OPTICAL CABLE CORPORATION (OCC)
RESERVES THE RIGHT TO REVISE ANY
AND ALL DESIGN SPECIFICATIONS."
UNCONTROLLED COPY



HARDWARE KIT INCLUDES	QTY
STRAIN RELIEF BRACKETS (OCC P/N TCSR2)	2
GROUNDING KIT	1
CABLE TIES	6
MOUNTING SCREWS	6
VELCRO STRAPS	10
WIRE MGMT CLIPS	10



FDH13RU		FIBER DISTRIBUTION HUB ASSY, 13 RU, BLACK	
OCC PART NUMBER		DESCRIPTION	
UNCONTROLLED COPY			
UNLESS OTHERWISE SPECIFIED DIMENSIONS ARE IN INCHES. TOLERANCES: FRACTIONS ±1/32" ANGLES ±1/2° 3 PLACE DECIMALS ±.005" 2 PLACE DECIMALS ±.01"		THIS DRAWING AND THE DESIGN SHOWN ARE THE PROPERTY OF OPTICAL CABLE CORPORATION AND MAY NOT BE USED AS THE BASIS FOR MANUFACTURE OR SALE WITHOUT SPECIFIC WRITTEN PERMISSION OF OPTICAL CABLE CORPORATION.	
DRAWN	D.A.HOLBERT	DATE	3/4/21
CHECKED	J.HOWE	DATE	5/26/21
ENGINEER	J.YANIK	DATE	3/4/21
APPROVED	J.CALLOWAY	DATE	6/28/21
PREVIOUS DWG			
NEXT DWG			
MATERIAL: ENCLOSURE AND DOOR 16 GA CRS		FINISH: COLOR: BLACK POWDERCOAT	
DRAWN		DATE	
CHECKED		DATE	
ENGINEER		DATE	
APPROVED		DATE	
PREVIOUS DWG			
NEXT DWG			
FILENAME		C113597A.dft	
SCALE:		1:5	
SHEET		1 OF 1	
DWG TITLE		FIBER DISTRIBUTION HUB ASSEMBLY, 13 RU	
SIZE		C	
DWG NO.		C113597	
REV		A	

PROPRIETARY AND CONFIDENTIAL