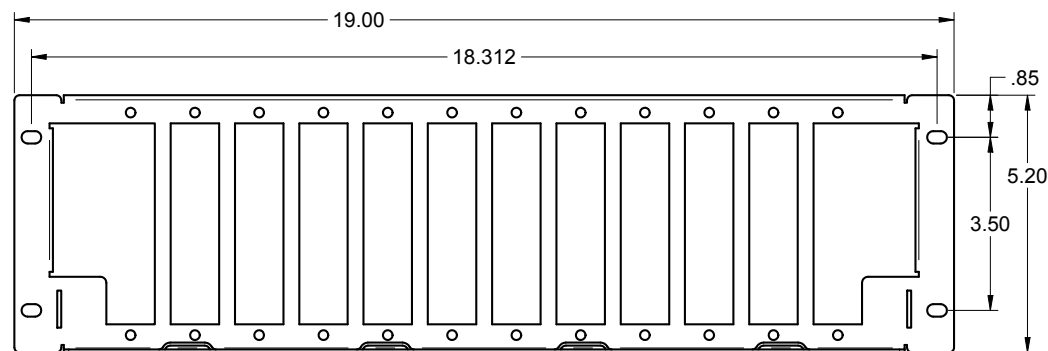
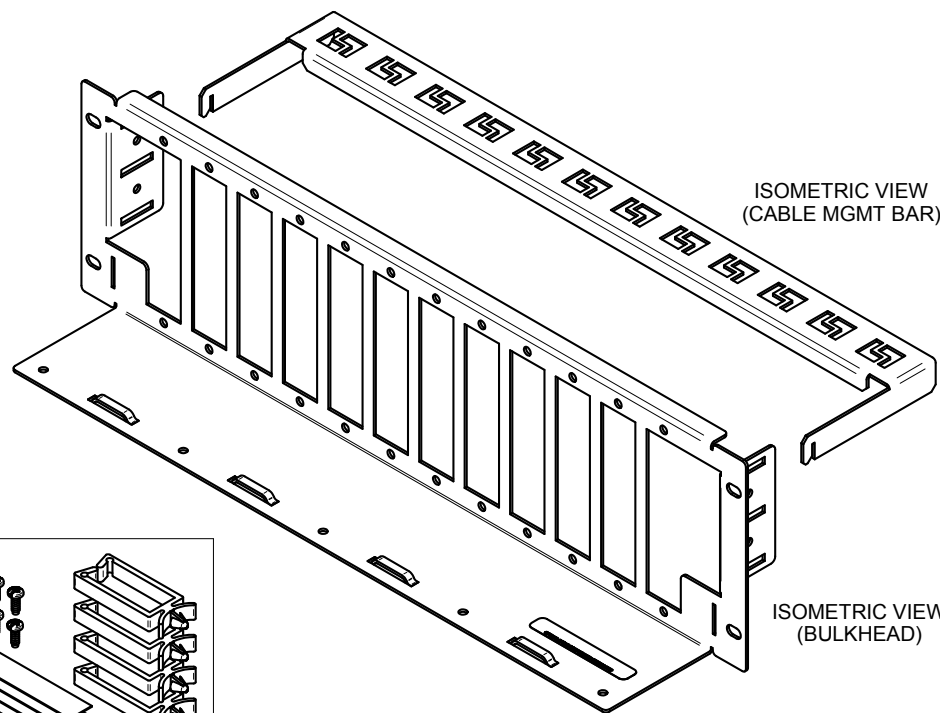


TOP VIEW

RIGHT SIDE

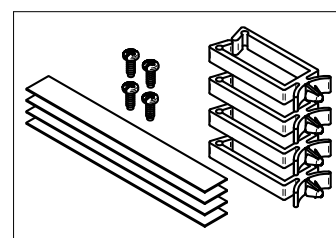


FRONT VIEW (BULKHEAD)



ISOMETRIC VIEW (CABLE MGMT BAR)

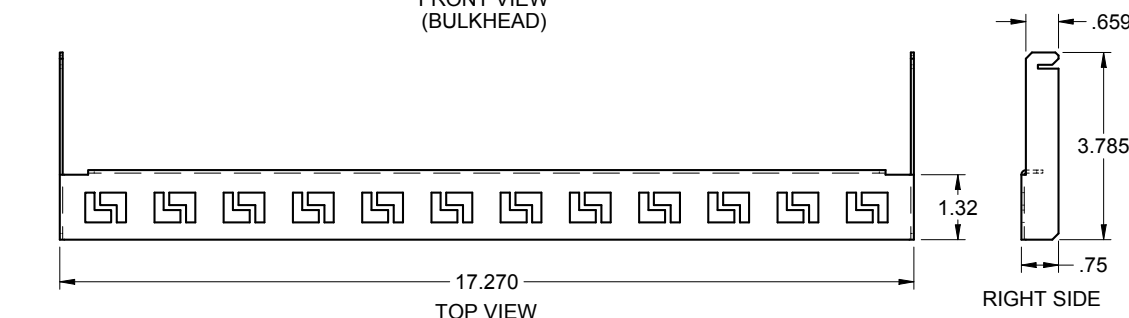
ISOMETRIC VIEW (BULKHEAD)



HARDWARE KIT INCLUDES	QTY
MOUNTING SCREWS	4
VELCRO STRAPS	4
WIRE MGMT CLIPS	4

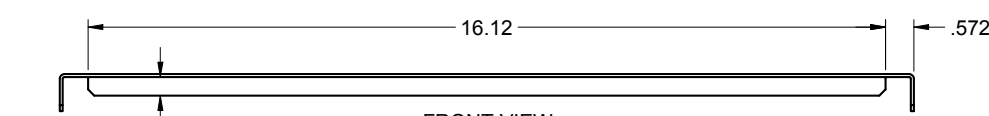
NOTES: UNLESS OTHERWISE SPECIFIED.

1. EACH FDH12APBH BULKHEAD IS MOUNTABLE TO 19" RACKS.
2. ACCOMMODATES (UP TO QTY 12) 600-series ADAPTER PLATES, PON SPLITTERS and MPO CASSETTES.
3. ATTACHED 3" FRONT SHELF WITH (QTY 4) BRIDGE LANCES FOR CABLE MANAGEMENT.
4. INCLUDES (QTY 1) HOOK -style REAR CABLE MGMT BAR.



TOP VIEW

RIGHT SIDE



FRONT VIEW (CABLE MGMT BAR)

FDH12APBH	FIBER DISTRIBUTION HUB BULKHEAD
OCC PART NUMBER	DESCRIPTION

**UNCONTROLLED COPY**

**CUSTOMER DRAWING**

UNLESS OTHERWISE SPECIFIED DIMENSIONS ARE IN INCHES. TOLERANCES: FRACTIONS ±1/32" ANGLES ±1/2" 3 PLACE DECIMALS ±.005" 2 PLACE DECIMALS ±.01"



33 Superior Way  
Swannanoa, NC 28778  
Phone: 828-298-2260  
Fax: 828-298-2487  
www.occfiber.com

MATERIAL 16GA CRS	DRAWN D.A.HOLBERT	DATE 3/4/21
FINISH COLOR: BLACK POWDERCOAT	CHECKED J.HOWE	DATE 5/26/21
	ENGINEER J.YANIK	DATE 3/4/21
	APPROVED J.CALLOWAY	DATE 7/1/21
	PREVIOUS DWG	
	NEXT DWG	

DWG TITLE <b>FIBER DISTRIBUTION HUB, BULKHEAD, FDH12APBH</b>		
SIZE <b>B</b>	DWG NO. <b>C113598</b>	REV <b>A</b>
FILENAME C113598A.dft	SCALE: 1:3	SHEET 1 OF 1

"OPTICAL CABLE CORPORATION (OCC) RESERVES THE RIGHT TO REVISE ANY AND ALL DESIGN SPECIFICATIONS."  
**UNCONTROLLED COPY**

