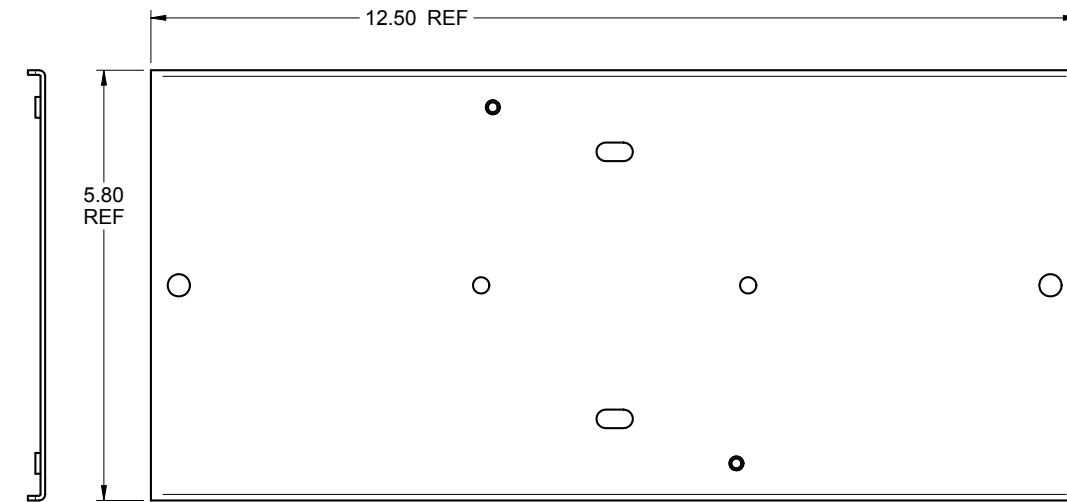


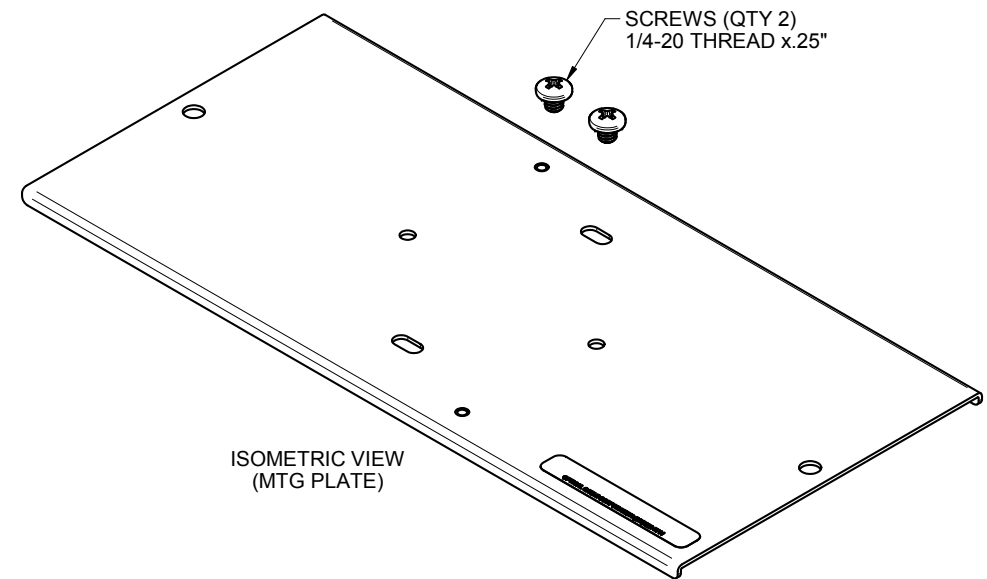
"OPTICAL CABLE CORPORATION (OCC)
RESERVES THE RIGHT TO REVISE ANY
AND ALL DESIGN SPECIFICATIONS."

UNCONTROLLED COPY

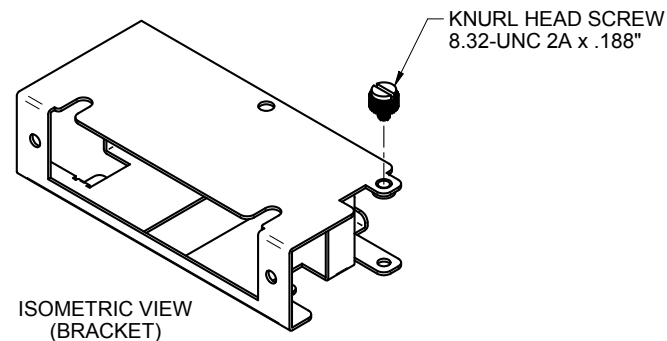


LEFT
SIDE

FIBER DISTRIBUTION HUB, STACKABLE SPLITTER MTG PLATE



ISOMETRIC VIEW
(MTG PLATE)



ISOMETRIC VIEW
(BRACKET)

NOTES: UNLESS OTHERWISE SPECIFIED.

1. INCLUDES: (1) MTG PLATE and (1) PONSCB1U
2. MOUNTS TO THE REAR DOOR OF FDH13RU
3. ACCOMMODATES 600-series ADAPTER PLATES AND CASSETTES.
4. PRIMARY APPLICATION: ACCOMMODATES MPO CASSETTES USED TO DISTRIBUTE INPUT SIGNALS TO (UP TO QTY 12) PON SPLITTERS.

THIRD ANGLE PROJECTION	
CRITICAL DIMENSION CODE	(F) = FUNCTION (M) = MATING (A) = AUDIT

FDHSCB1U	FIBER DIST HUB MTG PLATE with STACKABLE SPLITTER BRACKET 1U	
OCC PART NUMBER	DESCRIPTION	
UNCONTROLLED COPY		
UNLESS OTHERWISE SPECIFIED DIMENSIONS ARE IN INCHES. TOLERANCES: FRACTIONS $\pm 1/32"$ ANGLES $\pm 1/2"$ 3 PLACE DECIMALS $\pm .005"$ 2 PLACE DECIMALS $\pm .01"$		THIS DRAWING AND THE DESIGN SHOWN ARE THE PROPERTY OF OPTICAL CABLE CORPORATION AND MAY NOT BE USED AS THE BASIS FOR MANUFACTURE OR SALE WITHOUT SPECIFIC WRITTEN PERMISSION OF OPTICAL CABLE CORPORATION.
MATERIAL MTG PLATE: 16GA CRS PONSCB1U: 14GA CRS	DRAWN D.A.HOLBERT	DATE 3/4/21
FINISH COLOR: BLACK POWDERCOAT	CHECKED J.HOWE	DATE 5/26/21
	ENGINEER J.YANIK	DATE 3/4/21
	APPROVED J.CALLOWAY	DATE 6/10/21
	PREVIOUS DWG	
	NEXT DWG	FILENAME C113600A.dft
CUSTOMER DRAWING		
		33 Superior Way Swannanoa, NC 28778 Phone: 828-298-2260 Fax: 828-298-2487 www.occfiber.com
DWG TITLE		FIBER DIST HUB ASSEMBLY, MTG PLATE AND BRACKET 1U
SIZE B	DWG NO. C113600	REV A
	SCALE: 1:2	SHEET 1 OF 1

PROPRIETARY AND CONFIDENTIAL