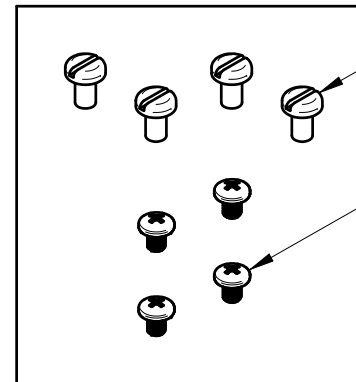
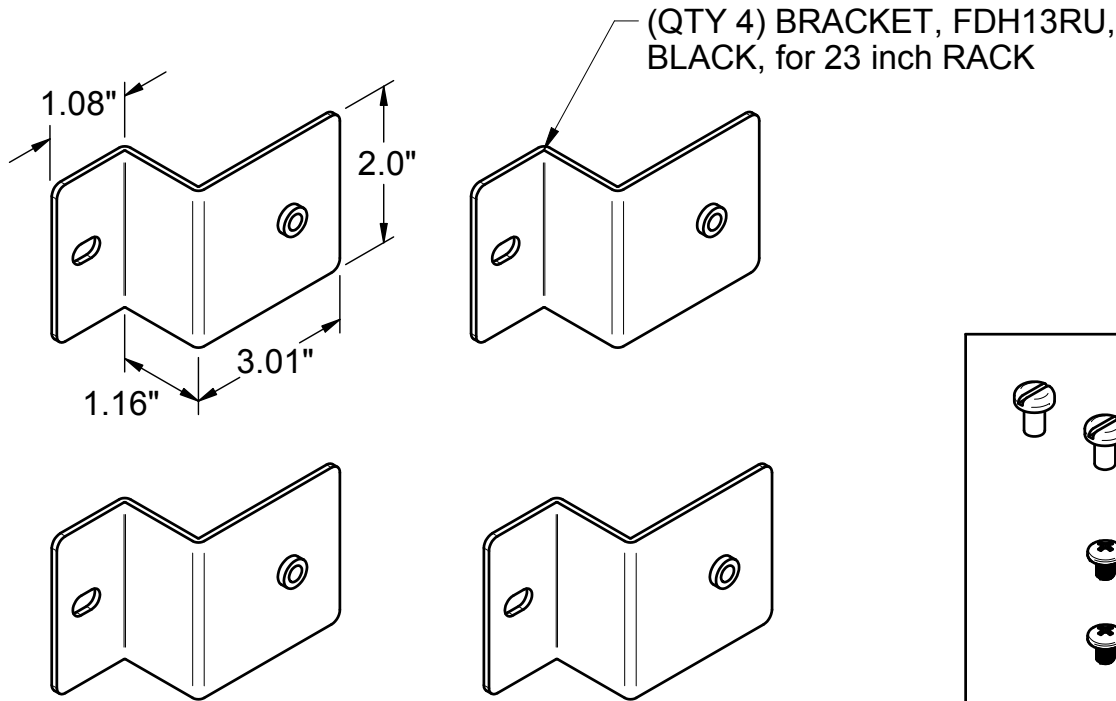


"OPTICAL CABLE CORPORATION (OCC) RESERVES THE RIGHT TO REVISE ANY AND ALL DESIGN SPECIFICATIONS."

UNCONTROLLED COPY



(QTY 4) SCREW, #12-24 x 5/8", PANHEAD, COMBO, BLACK

(QTY 4) SCREW, #10-32 x 1/4", PANHEAD, PHILLIPS, BLACK

HARDWARE KIT

FDH13BKT23	MOUNTING EAR, FDH13RU, 23 inch RACK, BLACK
OCC PART NUMBER	DESCRIPTION

UNCONTROLLED COPY

CUSTOMER DRAWING

UNLESS OTHERWISE SPECIFIED DIMENSIONS ARE IN INCHES.
TOLERANCES: FRACTIONS $\pm 1/32"$
ANGLES $\pm 1/2^\circ$
3 PLACE DECIMALS $\pm .005"$
2 PLACE DECIMALS $\pm .01"$

THIS DRAWING AND THE DESIGN SHOWN ARE THE PROPERTY OF OPTICAL CABLE CORPORATION AND MAY NOT BE USED AS THE BASIS FOR MANUFACTURE OR SALE WITHOUT SPECIFIC WRITTEN PERMISSION OF OPTICAL CABLE CORPORATION.



33 Superior Way
Swannanoa, NC 28778
Phone: 828-298-2260
Fax: 828-298-2487
www.occfiber.com

THIRD ANGLE PROJECTION	
CRITICAL DIMENSION CODE	<p>(F) = FUNCTION</p> <p>(M) = MATING</p> <p>(A) = AUDIT</p>

MATERIAL	BRACKET MATERIAL: 14 GAUGE CRS
FINISH	N/A

DRAWN	D.A.HOLBERT	DATE	4/1/21
CHECKED	J.HOWE	DATE	7/1/21
ENGINEER	J.YANIK	DATE	4/1/21
APPROVED	J.CALLOWAY	DATE	9/29/21
PREVIOUS DWG			
NEXT DWG			

DWG TITLE			
ASSY KIT, FIBER DIST HUB, 23 inch RACK, MTG BRACKET			
SIZE	DWG NO.	REV	
B	C113616	A	
SCALE:	1:2	SHEET	1 OF 1
FILENAME	C113616A.dft		

PROPRIETARY AND CONFIDENTIAL