




Fiber Distribution Hub Installation Sheet

Description

The document provides instruction for two mounting options for the OCC Fiber Distribution Hub (part# FDH13RU).

1. Wall mounting
2. 23-inch wide rack mounting

FDH13RU includes the following items:

	GROUNDING KIT	1
	STRAIN RELIEF BRACKET (OCC P/N TCSR2)	2
	CABLE TIES	6
	VELCRO STRAPS	10
	WIRE MANAGEMENT CLIP	10
	#10 - 3/4" WOOD SCREWS	6

This document also provides installation instructions for accessory items listed below.

Accessories (Sold Separately)

PART NUMBER	DESCRIPTION
FDH12APBH	FDH 12-Slot Bulkhead
FDH-SHELF	FDH Shelf
FDHSCB1U	FDH Stackable Cassette Bracket Mounting Plate
FDH12BKT23	FDH 23" Rack Mount Brackets (4 pcs)

Unpacking

Carefully remove enclosure from shipping carton and position enclosure on a flat sturdy surface.

Remove the front cover by unlatching hasp and open door approximately 90 degrees. Lift door up and off the hinges.

Remove the center enclosure section by unlatching hasp and open enclosure approximately 90 degrees. Lift up and off the hinges. See Figure 1.

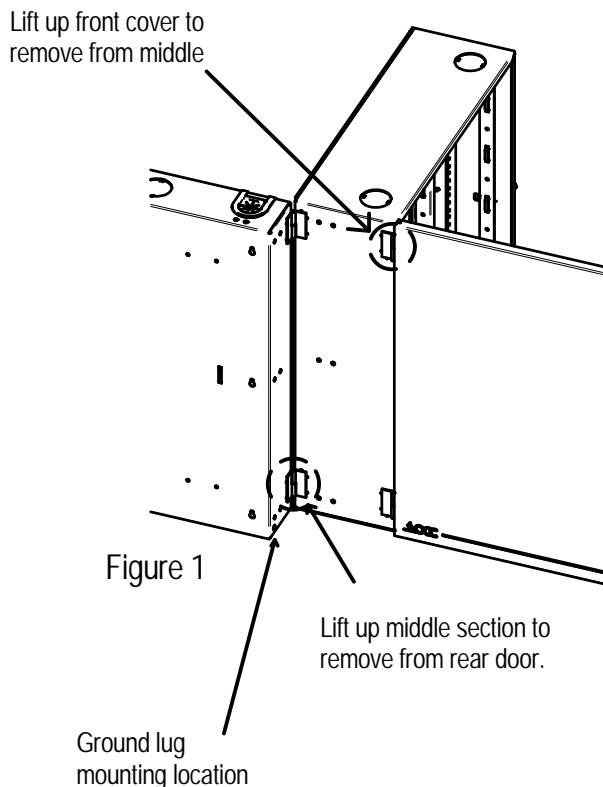
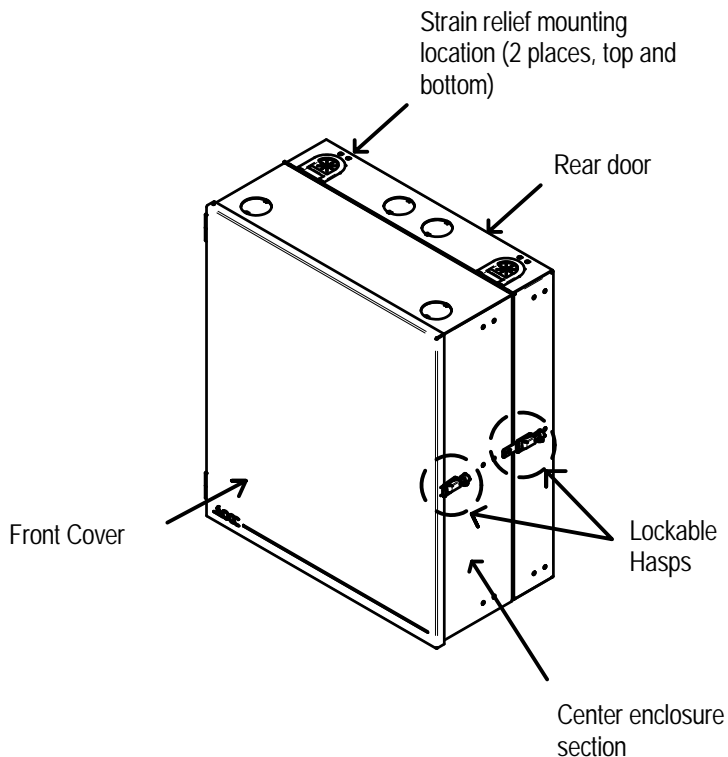
Wall Mounting

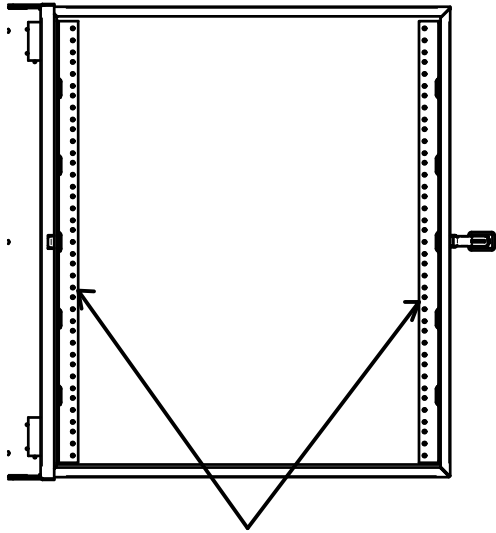
Recommend mounting the enclosure to wall lined with 3/4" plywood that is securely fastened to wall-framing members to ensure that it can support attached equipment.

Position the rear section of the cabinet against the plywood backboard or wall where it is to be located, level, and mark the center of the six mounting hole locations. Securely fasten the rear door using the #10-3/4" wood screws (included). See Figure 2.

Secure the ground lug (provided to the threaded hole in the left side of the cabinet with the 1/4-20 pan head screw provided. See Figure 1.

Re-attach center enclosure to rear door. Re-attach front door to center enclosure.





19" wide (13RU) mounting rails accommodate FDH12APBH bulkhead, FDH-SHELF and other 19" rack mount compatible equipment.

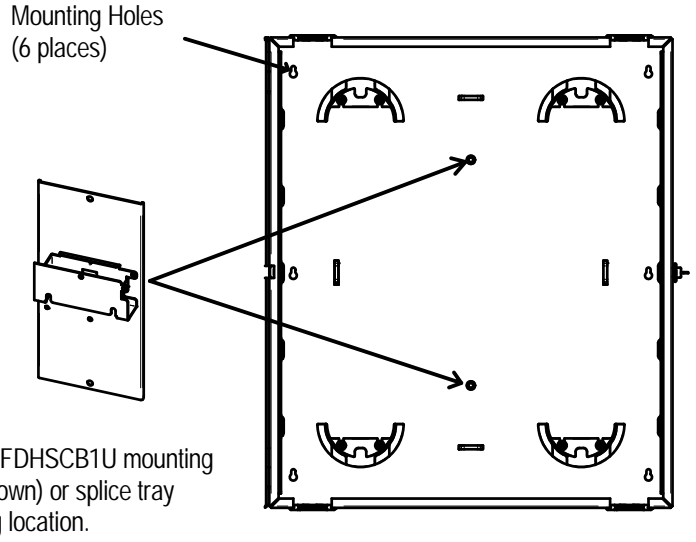
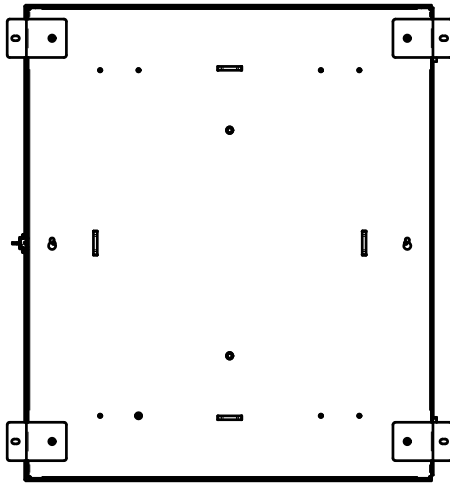


Figure 2

23" Rack Mounting Option

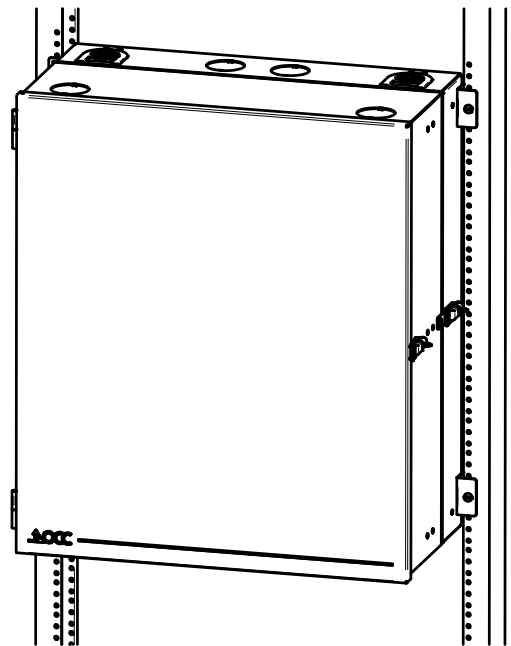
Rear Door (back view)



Mount (4) FDH13BKT23 brackets to rear door top and bottom mounting holes. Align mounting bracket threaded PEM fasteners with the rear door mounting holes. Secure with #10-32 screws provided.
Note: The mounting screws are inserted from inside of the rear door.

Mount rear door only to 23" rack using #12-24" screws (provided). Re-attach center enclosure to rear door. Re-attach front door to center enclosure.

Enclosure shown mounted in 23" rack



Caution: Ensure rack is securely fastened to floor before mounting the Fiber Distribution Hub.