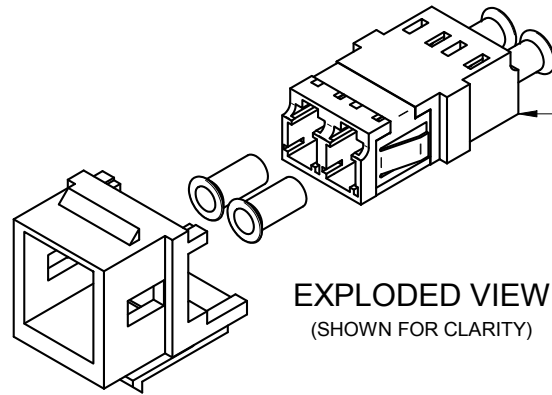


"OPTICAL CABLE CORPORATION (OCC)
RESERVES THE RIGHT TO REVISE ANY
AND ALL DESIGN SPECIFICATIONS."

UNCONTROLLED COPY

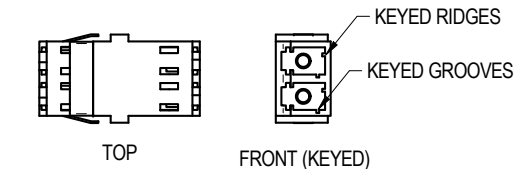
KMJ HSG COLOR
00 = ELEC. IVORY
01 = OFF. WHITE
02 = BLACK
03 = RED
04 = GREEN
05 = BLUE
06 = GREY
08 = ORANGE
09 = YELLOW
10 = PURPLE
11 = BROWN
12 = BRT. WHITE



DUAL LC KEYED HOUSING COLOR
PER P/N TABLE, AS SHOWN BELOW.

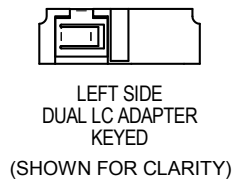
EXPLODED VIEW
(SHOWN FOR CLARITY)

COMPLETED ASSEMBLY
OCC p/n LAXAKDLCKBL01 (example)



TOP

FRONT (KEYED)



LEFT SIDE
DUAL LC ADAPTER
KEYED

(SHOWN FOR CLARITY)

NOTE: THE KEYED SLOTS ON DUPLEX LCK ADAPTER,
MAY BE LOCATED ON OPPOSITE SIDES, OTHER THAN
SHOWN (ACCORDING TO THE COLORING CODING).
THIS IS DESIGNED TO MATCH UP WITH THE LIKE
KEYED SLOTS OF THE COLOR CODING ON THE LCK
CONNECTORS. KEYING IS PROPRIETARY. CONTACT
INSIDE SALES FOR AVAILABLE COLORS.

LAXAKDLCKAQxx	ASSY, ADAPTER, KMJ, DUAL LCK, AQUA, SM/MM, "KMJ HSG COLOR"
LAXAKDLCKRSxx	ASSY, ADAPTER, KMJ, DUAL LCK, ROSE, SM/MM, "KMJ HSG COLOR"
LAXAKDLCKPLxx	ASSY, ADAPTER, KMJ, DUAL LCK, PURPLE, SM/MM, "KMJ HSG COLOR"
LAXAKDLCKYLxx	ASSY, ADAPTER, KMJ, DUAL LCK, YELLOW, SM/MM, "KMJ HSG COLOR"
LAXAKDLCKPKxx	ASSY, ADAPTER, KMJ, DUAL LCK, PINK, SM/MM, "KMJ HSG COLOR"
LAXAKDLCKRDxx	ASSY, ADAPTER, KMJ, DUAL LCK, RED, SM/MM, "KMJ HSG COLOR"
LAXAKDLCKWTxx	ASSY, ADAPTER, KMJ, DUAL LCK, WHITE, SM/MM, "KMJ HSG COLOR"
LAXAKDLCKSLxx	ASSY, ADAPTER, KMJ, DUAL LCK, SLATE, SM/MM, "KMJ HSG COLOR"
LAXAKDLCKBNxx	ASSY, ADAPTER, KMJ, DUAL LCK, BROWN, SM/MM, "KMJ HSG COLOR"
LAXAKDLCKGNxx	ASSY, ADAPTER, KMJ, DUAL LCK, GREEN, SM/MM, "KMJ HSG COLOR"
LAXAKDLCKORxx	ASSY, ADAPTER, KMJ, DUAL LCK, ORANGE, SM/MM, "KMJ HSG COLOR"
LAXAKDLCKBLxx	ASSY, ADAPTER, KMJ, DUAL LCK, BLUE, SM/MM, "KMJ HSG COLOR"
OCC PART NO.	DESCRIPTION

UNLESS OTHERWISE SPECIFIED
DIMENSIONS ARE IN INCHES
TOLERANCES:
FRACTIONS ±1/32"
ANGLES ±1/2°
3 PLACE DECIMALS ±.005"
2 PLACE DECIMALS ±.01"

THIS DRAWING AND THE DESIGN SHOWN ARE THE
PROPERTY OF OPTICAL CABLE CORPORATION AND
MAY NOT BE USED AS THE BASIS FOR MANUFACTURE
OR SALE WITHOUT SPECIFIC WRITTEN PERMISSION
OF OPTICAL CABLE CORPORATION.



33 Superior Way
Swannanoa, NC 28778
Phone: 828-298-2260
Fax: 828-298-2487
www.occfiber.com

DRAWN	D.A.HOLBERT	DATE	10/6/11
CHECKED	J.HOWE	DATE	12/4/14
ENGINEER	J.YANIK	DATE	10/6/11
APPROVED	J.CALLOWAY	DATE	8/15/22
PREVIOUS DWG			
NEXT DWG			

DWG TITLE			
ACCESS ADAPTER ASSY, KMJ, DUAL LC, KEYED, SM/MM			
SIZE	DWG NO.	REV	
B	C110925	A	
SCALE:	NONE	SHEET	1 OF 1

NOTES: UNLESS OTHERWISE SPECIFIED.

1. EACH FIBER ADAPTER KIT IS SUPPLIED WITH COMPONENTS SHOWN.
2. OCC RESERVES THE PRIVILEGE OF COMPONENT(S) UPGRADES TO MEET DESIGN NEEDS, AS NECESSARY.

THIRD ANGLE PROJECTION	
CRITICAL DIMENSION CODE	
(F) = FUNCTION	
(M) = MATING	
(A) = AUDIT	

MATERIAL	SEE BILL OF MATERIAL
FINISH	SEE NOTES

PROPRIETARY AND CONFIDENTIAL