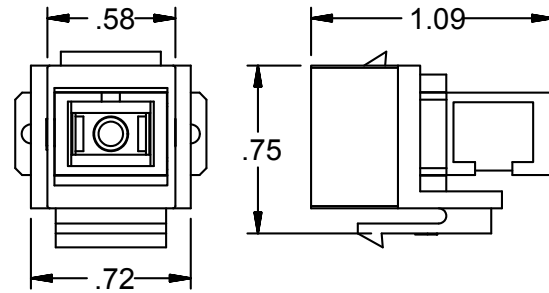
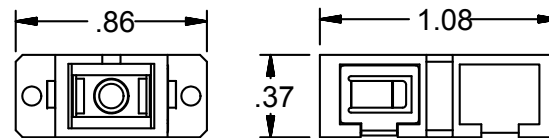


"OPTICAL CABLE CORPORATION (OCC)
RESERVES THE RIGHT TO REVISE ANY
AND ALL DESIGN SPECIFICATIONS."

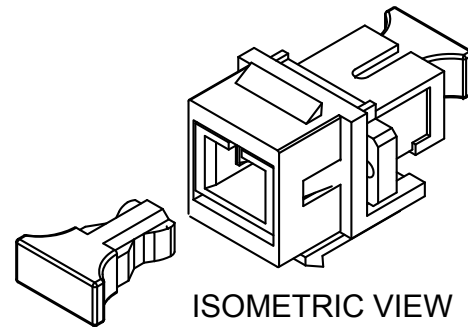
UNCONTROLLED COPY



ASSEMBLY VIEW


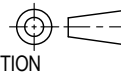


SC CONNECTOR



ISOMETRIC VIEW
(DUST CAPS ARE ASSEMBLED)
SHOWN HERE FOR CLARITY

AKSC50G12	ASSY, ADPTR, KMJ, SC, 50µm 10G, BRT. WHITE, COMMERCIAL
AKSC50G11	ASSY, ADPTR, KMJ, SC, 50µm 10G, BROWN, COMMERCIAL
AKSC50G10	ASSY, ADPTR, KMJ, SC, 50µm 10G, PURPLE, COMMERCIAL
AKSC50G09	ASSY, ADPTR, KMJ, SC, 50µm 10G, YELLOW, COMMERCIAL
AKSC50G08	ASSY, ADPTR, KMJ, SC, 50µm 10G, ORANGE, COMMERCIAL
AKSC50G07	ASSY, ADPTR, KMJ, SC, 50µm 10G, WHITE, COMMERCIAL
AKSC50G06	ASSY, ADPTR, KMJ, SC, 50µm 10G, GREY, COMMERCIAL
AKSC50G05	ASSY, ADPTR, KMJ, SC, 50µm 10G, BLUE, COMMERCIAL
AKSC50G04	ASSY, ADPTR, KMJ, SC, 50µm 10G, GREEN, COMMERCIAL
AKSC50G03	ASSY, ADPTR, KMJ, SC, 50µm 10G, RED, COMMERCIAL
AKSC50G02	ASSY, ADPTR, KMJ, SC, 50µm 10G, BLACK, COMMERCIAL
AKSC50G01	ASSY, ADPTR, KMJ, SC, 50µm 10G, OFF. WHITE, COMMERCIAL
AKSC50G00	ASSY, ADPTR, KMJ, SC, 50µm 10G, ELEC. IVORY, COMMERCIAL
OCC PART NO.	DESCRIPTION

UNCONTROLLED COPY		 OPTICAL CABLE CORPORATION	5290 Concourse Drive Roanoke, VA 24019 Phone: 800-622-7711 Fax: 540-265-0724 www.occfiber.com	
UNLESS OTHERWISE SPECIFIED DIMENSIONS ARE IN INCHES. TOLERANCES: FRACTIONS ±1/32" ANGLES ±1/2° 3 PLACE DECIMALS ±.005" 2 PLACE DECIMALS ±.01"				
MATERIAL SEE BILL OF MATERIAL		DRAWN D.A.HOLBERT	DATE 2/15/12	DWG TITLE CUSTOMER DRAWING, ASSY, ADAPTER, KMJ, SC, 50µm 10Gig, COMMERCIAL
FINISH SEE NOTES		CHECKED J.HOWE	DATE 2/15/12	
CRITICAL DIMENSION CODE (F) = FUNCTION (M) = MATING (A) = AUDIT		ENGINEER J.YANIK	DATE 2/15/12	
THIRD ANGLE PROJECTION 		APPROVED J.CALLOWAY	DATE 8/26/20	
		PREVIOUS DWG		SIZE B
		NEXT DWG	FILENAME C111132A.dft	DWG NO. C111132
			SCALE: NONE	REV A
			SHEET 1 OF 1	

NOTES: UNLESS OTHERWISE SPECIFIED.

1. EACH FIBER ADAPTER KIT IS SUPPLIED WITH COMPONENTS SHOWN.

PROPRIETARY AND CONFIDENTIAL