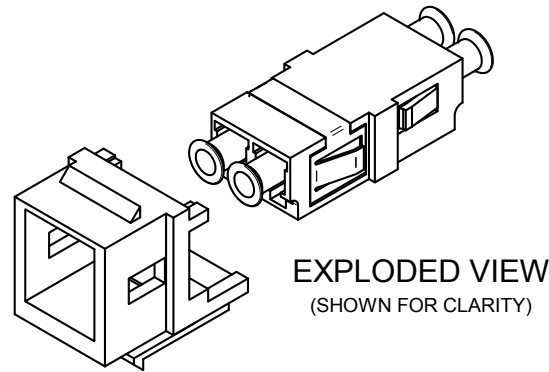
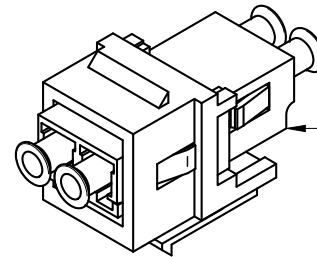


"OPTICAL CABLE CORPORATION (OCC)  
RESERVES THE RIGHT TO REVISE ANY  
AND ALL DESIGN SPECIFICATIONS."

**UNCONTROLLED COPY**

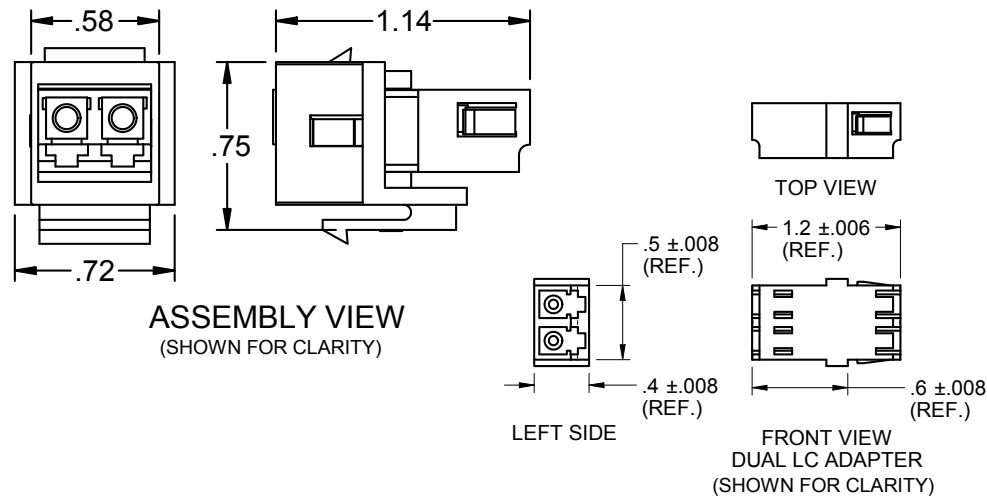


EXPLODED VIEW  
(SHOWN FOR CLARITY)



COMPLETED ASSEMBLY  
OCC p/n AKDLC50Gxx

LC DUPLEX, AQUA HOUSING COLOR  
with (QTY 4) DUST CAPS SUPPLIED,  
ZIRCONIA CERAMIC SLEEVE  
(SUITABLE FOR SINGLEMODE & MULTIMODE)



AKDLC50G12	ASSY, ADAPTER, KMJ, DUAL LC, 50µm10G, OM3, BRIGHT WHITE
AKDLC50G11	ASSY, ADAPTER, KMJ, DUAL LC, 50µm10G, OM3, BROWN
AKDLC50G10	ASSY, ADAPTER, KMJ, DUAL LC, 50µm10G, OM3, PURPLE
AKDLC50G09	ASSY, ADAPTER, KMJ, DUAL LC, 50µm10G, OM3, YELLOW
AKDLC50G08	ASSY, ADAPTER, KMJ, DUAL LC, 50µm10G, OM3, ORANGE
AKDLC50G06	ASSY, ADAPTER, KMJ, DUAL LC, 50µm10G, OM3, GREY
AKDLC50G05	ASSY, ADAPTER, KMJ, DUAL LC, 50µm10G, OM3, BLUE
AKDLC50G04	ASSY, ADAPTER, KMJ, DUAL LC, 50µm10G, OM3, GREEN
AKDLC50G03	ASSY, ADAPTER, KMJ, DUAL LC, 50µm10G, OM3, RED
AKDLC50G02	ASSY, ADAPTER, KMJ, DUAL LC, 50µm10G, OM3, BLACK
AKDLC50G01	ASSY, ADAPTER, KMJ, DUAL LC, 50µm10G, OM3, OFFICE WHITE
AKDLC50G00	ASSY, ADAPTER, KMJ, DUAL LC, 50µm10G, OM3, ELEC. IVORY
<b>OCC PART NO.</b>	<b>DESCRIPTION</b>

NOTES: UNLESS OTHERWISE SPECIFIED.

- EACH FIBER ADAPTER KIT IS SUPPLIED WITH COMPONENTS SHOWN.
- ADAPTER SPECIFICATIONS (MULTIMODE) 50µm 10Gig OM3  
INSERTION LOSS (AVERAGE): PHOSPHOR BRONZE SLEEVE: ≤ 0.3 dB MAX.  
SLEEVE/FERRULE WITHDRAWAL FORCE: 2.0N ~ 5.9N (200gf ~ 600gf)

THIRD ANGLE PROJECTION	
CRITICAL DIMENSION CODE	(F) = FUNCTION (M) = MATING (A) = AUDIT

MATERIAL  
SEE BILL OF MATERIAL

FINISH  
SEE NOTES

UNLESS OTHERWISE SPECIFIED DIMENSIONS ARE IN INCHES.  
TOLERANCES: FRACTIONS ±1/32"  
ANGLES ±1/2°  
3 PLACE DECIMALS ±.005"  
2 PLACE DECIMALS ±.01"

DRAWN	D.A.HOLBERT	DATE	4/9/12
CHECKED	J.HOWE	DATE	12/1/14
ENGINEER	J.YANIK	DATE	4/9/12
APPROVED	J.CALLOWAY	DATE	8/15/22
PREVIOUS DWG			
NEXT DWG			



33 Superior Way  
Swannanoa, NC 28778  
Phone: 828-298-2260  
Fax: 828-298-2487  
www.occfiber.com

DWG TITLE **ADAPTER ASSY, DUAL LC,  
50µm10Gig, OM3, COMMERCIAL**

SIZE **B** DWG NO. **C111179** REV **D**

FILENAME C111179D.dft SCALE: NONE SHEET 1 OF 1

**PROPRIETARY AND CONFIDENTIAL**