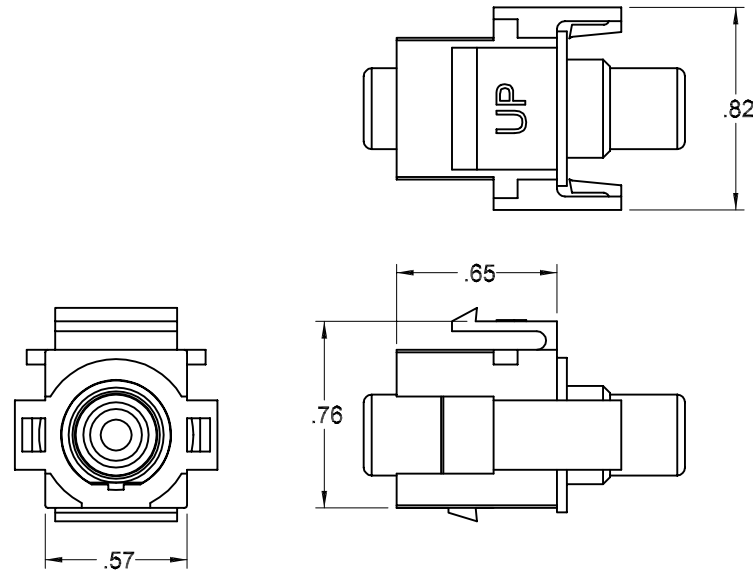


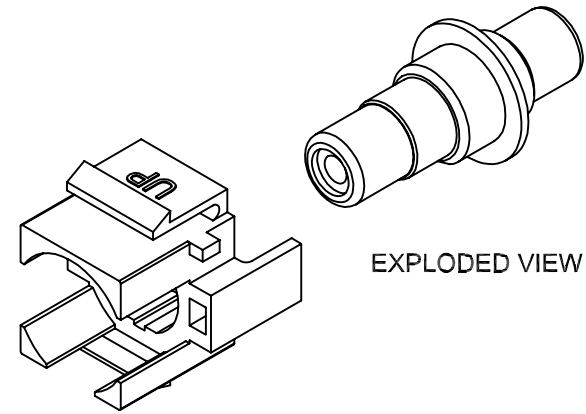
NOTES: UNLESS OTHERWISE SPECIFIED.  
 1. "XX" IN PART NUMBER DESIGNATES "COLOR" OF ADAPTER HOUSING.

REVISION HISTORY					
REV	SHT	DESCRIPTION	DATE	ECN	CHECKED
A	ALL	RELEASE NEW	1/25/05	NEW	JS
B	-	ADDED: PARTS LIST TABLE AND EXPLODED VIEW	5/3/05	-	JH

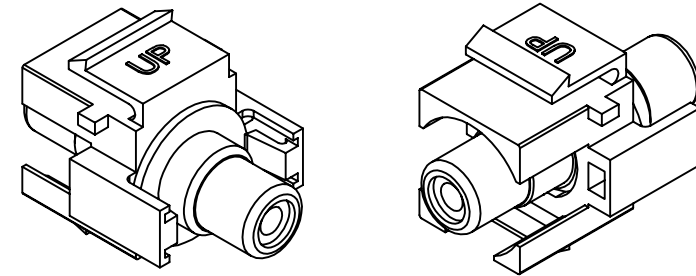
SUFFIX	COLOR CODE
00	ELEC. IVORY
01	OFFICE WHITE
02	BLACK
03	RED
04	GREEN
05	BLUE
06	GREY
07	WHITE
08	ORANGE
09	YELLOW
10	PURPLE
11	BROWN
12	BRIGHT WHITE



ORTHOGRAPHIC VIEWS

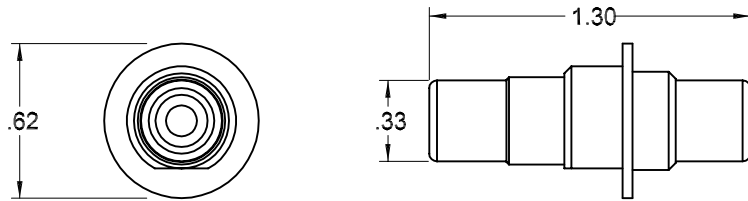


EXPLODED VIEW



REAR VIEW

FRONT VIEW



RCA PASS THRU CONNECTOR

UNCONTROLLED COPY



THIRD ANGLE PROJECTION  
 CRITICAL DIMENSION CODE  
 (F) = FUNCTION  
 (M) = MATING  
 (A) = AUDIT

AKRCAP"XX"	ASSY, ADAPTER, RCA, PASS THRU, "COLOR", COMMERCIAL				
OCC PART NO.	DESCRIPTION				
<b>UNCONTROLLED COPY</b>					
UNLESS OTHERWISE SPECIFIED DIMENSIONS ARE IN INCHES. TOLERANCES: FRACTIONS ±1/32" ANGLES ±1/2° 3 PLACE DECIMALS ±.005" 2 PLACE DECIMALS ±.01"			THIS DRAWING AND THE DESIGN SHOWN ARE THE PROPERTY OF OPTICAL CABLE CORPORATION AND MAY NOT BE USED AS THE BASIS FOR MANUFACTURE OR SALE WITHOUT SPECIFIC WRITTEN PERMISSION OF OPTICAL CABLE CORPORATION.		
MATERIAL	SEE BILL OF MATERIAL	DRAWN	E.WETLI	DATE	1/25/05
FINISH	SEE NOTES	CHECKED	J.SHERRILL	DATE	1/25/05
		ENGINEER	J.YANIK	DATE	1/25/05
		APPROVED	J.HOWE	DATE	5/3/05
		PREVIOUS DWG			
		NEXT DWG		FILENAME	C107109B.DFT
		SIZE	B	DWG NO.	C107109
		SCALE:	NONE	SHEET	1 OF 1
		DWG TITLE		CUSTOMER DRAWING, ASSY, ADAPTER, RCA, PASS THRU, COMMERCIAL	
		REV	B		
		5290 Concourse Drive Roanoke, VA 24019 Phone: 800-622-7711 Fax: 540-265-0724 www.occfiber.com			