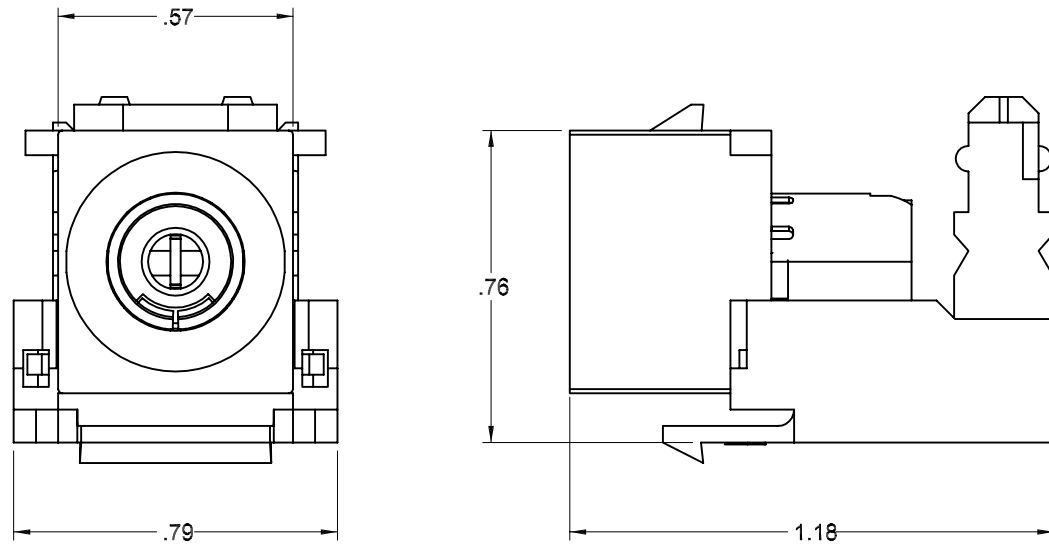
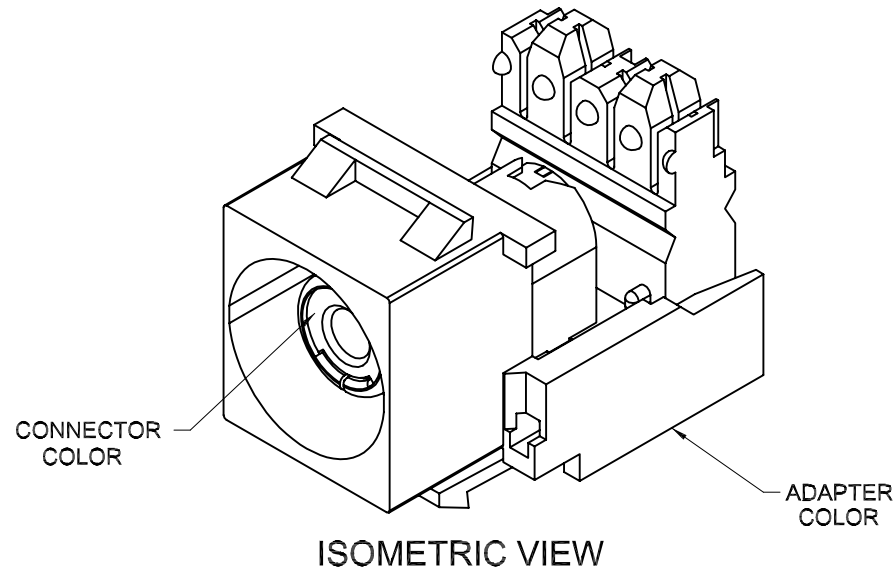


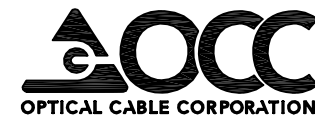
REV		REVISION HISTORY			DATE	ECN	CHECKED
SHT	DESCRIPTION						
A	ALL	RELEASE	NEW		3/23/05	NEW	JH



AKRCA110W12	WHITE	BRIGHT WHITE
AKRCA110B12	BLACK	BRIGHT WHITE
AKRCA110Y12	YELLOW	BRIGHT WHITE
AKRCA110R12	RED	BRIGHT WHITE
AKRCA110W01	WHITE	OFFICE WHITE
AKRCA110B01	BLACK	OFFICE WHITE
AKRCA110Y01	YELLOW	OFFICE WHITE
AKRCA110R01	RED	OFFICE WHITE
AKRCA110W00	WHITE	ELEC. IVORY
AKRCA110B00	BLACK	ELEC. IVORY
AKRCA110Y00	YELLOW	ELEC. IVORY
AKRCA110R00	RED	ELEC. IVORY
OCC PART NO.	CONNECTOR COLOR	ADAPTER COLOR

UNLESS OTHERWISE SPECIFIED
DIMENSIONS ARE IN INCHES
TOLERANCES:
FRACTIONS ±1/32"
ANGLES ±1/2°
3 PLACE DECIMALS ±.005"
2 PLACE DECIMALS ±.01"

THIS DRAWING AND THE DESIGN SHOWN ARE THE
PROPERTY OF OPTICAL CABLE CORPORATION AND
MAY NOT BE USED AS THE BASIS FOR MANU-
FACTURE OR SALE WITHOUT SPECIFIC WRITTEN
PERMISSION OF OPTICAL CABLE CORPORATION.



5290 Concourse Drive
Roanoke, VA 24019
Phone: 800-622-7711
Fax: 540-265-0724
www.occfiber.com



MATERIAL
UL LISTED RATING 94V-0
HSG: FLAME RETARDANT
THERMOPLASTIC
CONN: VARIOUS
FINISH
SEE BILL OF MATERIAL

CRITICAL DIMENSION CODE
(F) = FUNCTION
(M) = MATING
(A) = AUDIT

DRAWN	E.WETLI	DATE	3/23/05
CHECKED	J.MALTAIS	DATE	3/23/05
ENGINEER	J.YANIK	DATE	3/23/05
APPROVED	J.HOWE	DATE	3/23/05
PREVIOUS DWG			
NEXT DWG		FILENAME	C107110A.DFT

DWG TITLE
**ADAPTER ASSEMBLY,
RCA-110, RESIDENTIAL**

SIZE B	DWG NO. C107110	REV A
SCALE: NONE	SHEET	1 OF 1

UNCONTROLLED COPY