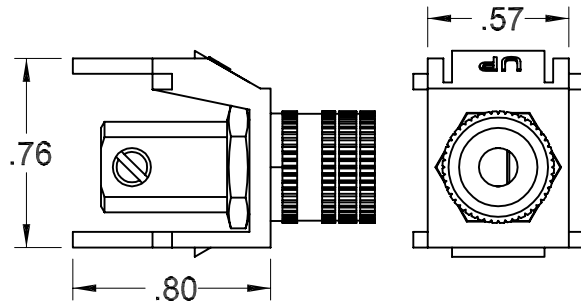
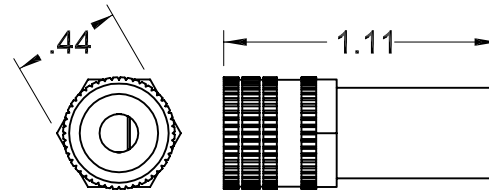


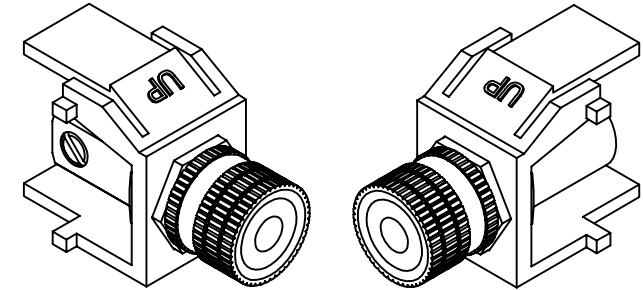
REVISION HISTORY				
REV	SHT	DESCRIPTION	DATE	CHECKED
A	ALL	RELEASE NEW	2/23/05	NEW JS
B	-	ADDED: ISOMETRIC, LEFT, AND RIGHT VIEWS	5/3/05	- JH



ASSEMBLY VIEW

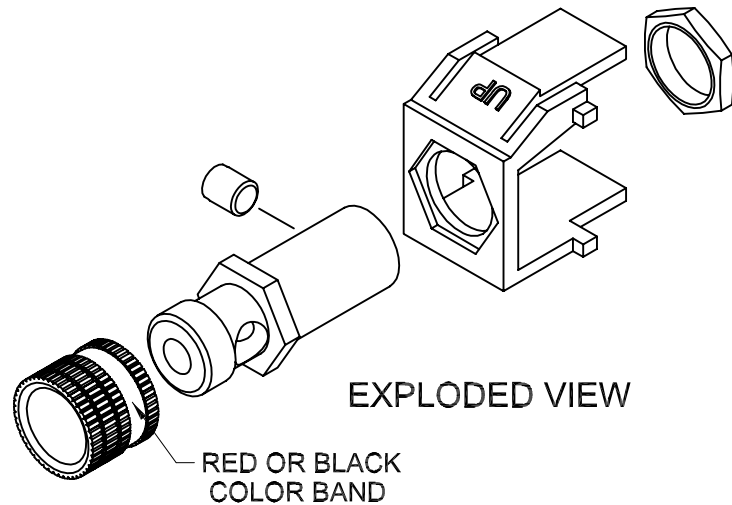


BINDING POST CONNECTOR



LEFT SIDE

RIGHT SIDE



EXPLODED VIEW

RED OR BLACK  
COLOR BAND

AKBP212	ASSY, ADAPTER, BINDING POST, BRIGHT WHITE, COMMERCIAL
AKBP211	ASSY, ADAPTER, BINDING POST, BROWN, COMMERCIAL
AKBP210	ASSY, ADAPTER, BINDING POST, PURPLE, COMMERCIAL
AKBP209	ASSY, ADAPTER, BINDING POST, YELLOW, COMMERCIAL
AKBP208	ASSY, ADAPTER, BINDING POST, ORANGE, COMMERCIAL
AKBP207	ASSY, ADAPTER, BINDING POST, WHITE, COMMERCIAL
AKBP206	ASSY, ADAPTER, BINDING POST, GREY, COMMERCIAL
AKBP205	ASSY, ADAPTER, BINDING POST, BLUE, COMMERCIAL
AKBP204	ASSY, ADAPTER, BINDING POST, GREEN, COMMERCIAL
AKBP203	ASSY, ADAPTER, BINDING POST, RED, COMMERCIAL
AKBP202	ASSY, ADAPTER, BINDING POST, BLACK, COMMERCIAL
AKBP201	ASSY, ADAPTER, BINDING POST, OFFICE WHITE, COMMERCIAL
AKBP200	ASSY, ADAPTER, BINDING POST, ELEC. IVORY, COMMERCIAL
OCC PART NO.	DESCRIPTION

NOTES: UNLESS OTHERWISE SPECIFIED.

1. BAND: A PAIR CONSISTING OF (1 each) RED and (1 each) BLACK.

UNCONTROLLED COPY



CRITICAL DIMENSION CODE

(F) = FUNCTION  
(M) = MATING  
(A) = AUDIT

UNCONTROLLED COPY				DWG TITLE		SIZE	DWG NO.	REV
UNLESS OTHERWISE SPECIFIED DIMENSIONS ARE IN INCHES. TOLERANCES: FRACTIONS $\pm 1/32"$ ANGLES $\pm 1/2^\circ$ 3 PLACE DECIMALS $\pm .005"$ 2 PLACE DECIMALS $\pm .01"$		THIS DRAWING AND THE DESIGN SHOWN ARE THE PROPERTY OF OPTICAL CABLE CORPORATION AND MAY NOT BE USED AS THE BASIS FOR MANUFACTURE OR SALE WITHOUT SPECIFIC WRITTEN PERMISSION OF OPTICAL CABLE CORPORATION.		CUSTOMER DRAWING, ASSY, ADAPTER, BP, COMMERCIAL		B	C107111	B
MATERIAL SEE BILL OF MATERIAL	FINISH SEE BILL OF MATERIAL	DRAWN E.WETLI	DATE 2/23/05	CHECKED J.SHERRILL	DATE 2/25/05	FILENAME C107111B.DFT	SCALE: NONE	SHEET 1 OF 1
ENGINEER J.YANIK	DATE 2/23/05	APPROVED J.HOWE	DATE 5/3/05					
		PREVIOUS DWG						
		NEXT DWG						



5290 Concourse Drive  
Roanoke, VA 24019  
Phone: 800-622-7711  
Fax: 540-265-0724  
www.occfiber.com