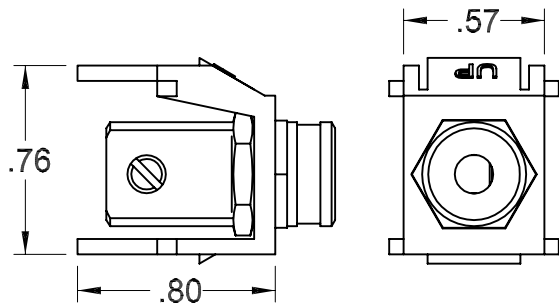
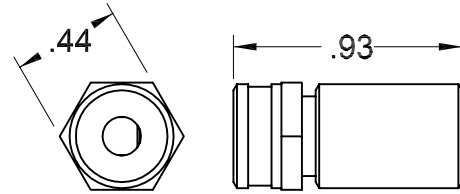


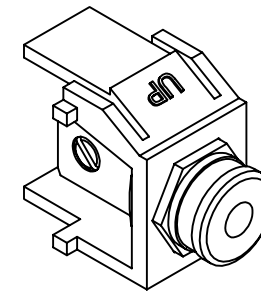
REVISION HISTORY					
REV	SHT	DESCRIPTION	DATE	ECN	CHECKED
A	ALL	RELEASE NEW	2/23/05	NEW	JS
B	-	ADDED: ISOMETRIC, LEFT, AND RIGHT VIEWS	5/3/05	-	JH



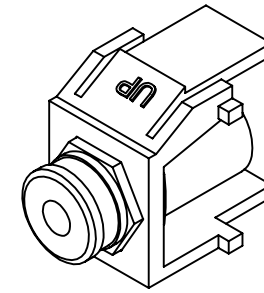
ASSEMBLY VIEW



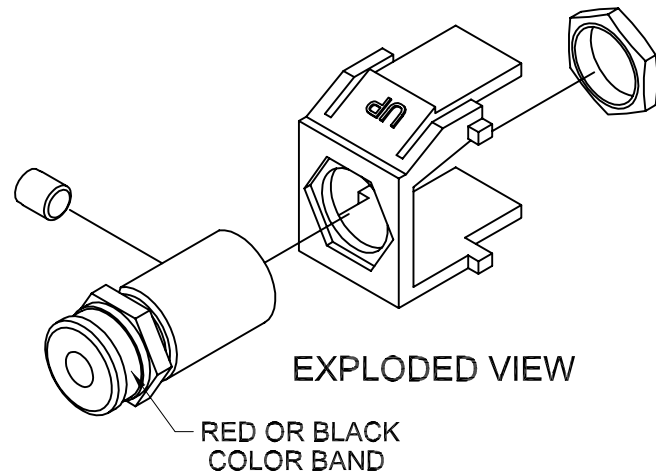
BANANA CLIP CONNECTOR



LEFT SIDE



RIGHT SIDE



EXPLODED VIEW

RED OR BLACK
COLOR BAND

AKBC212	ASSY, ADAPTER, BANANA CLIP, BRIGHT WHITE, COMMERCIAL
AKBC211	ASSY, ADAPTER, BANANA CLIP, BROWN, COMMERCIAL
AKBC210	ASSY, ADAPTER, BANANA CLIP, PURPLE, COMMERCIAL
AKBC209	ASSY, ADAPTER, BANANA CLIP, YELLOW, COMMERCIAL
AKBC208	ASSY, ADAPTER, BANANA CLIP, ORANGE, COMMERCIAL
AKBC207	ASSY, ADAPTER, BANANA CLIP, WHITE, COMMERCIAL
AKBC206	ASSY, ADAPTER, BANANA CLIP, GREY, COMMERCIAL
AKBC205	ASSY, ADAPTER, BANANA CLIP, BLUE, COMMERCIAL
AKBC204	ASSY, ADAPTER, BANANA CLIP, GREEN, COMMERCIAL
AKBC203	ASSY, ADAPTER, BANANA CLIP, RED, COMMERCIAL
AKBC202	ASSY, ADAPTER, BANANA CLIP, BLACK, COMMERCIAL
AKBC201	ASSY, ADAPTER, BANANA CLIP, OFFICE WHITE, COMMERCIAL
AKBC200	ASSY, ADAPTER, BANANA CLIP, ELEC. IVORY, COMMERCIAL
OCC PART NO.	DESCRIPTION

NOTES: UNLESS OTHERWISE SPECIFIED.

1. BAND: A PAIR CONSISTING OF (1 each) RED and (1 each) BLACK.

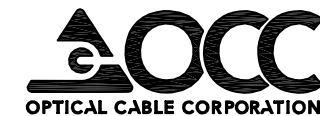
UNCONTROLLED COPY



CRITICAL DIMENSION CODE

(F) = FUNCTION
(M) = MATING
(A) = AUDIT

UNCONTROLLED COPY			
UNLESS OTHERWISE SPECIFIED DIMENSIONS ARE IN INCHES. TOLERANCES: FRACTIONS $\pm 1/32"$ ANGLES $\pm 1/2^\circ$ 3 PLACE DECIMALS $\pm .005"$ 2 PLACE DECIMALS $\pm .01"$		THIS DRAWING AND THE DESIGN SHOWN ARE THE PROPERTY OF OPTICAL CABLE CORPORATION AND MAY NOT BE USED AS THE BASIS FOR MANUFACTURE OR SALE WITHOUT SPECIFIC WRITTEN PERMISSION OF OPTICAL CABLE CORPORATION.	
DRAWN	E.WETLI	DATE	2/23/05
CHECKED	J.SHERRILL	DATE	2/25/05
ENGINEER	J.YANIK	DATE	2/23/05
APPROVED	J.HOWE	DATE	5/3/05
PREVIOUS DWG			
NEXT DWG		FILENAME	C107112B.DFT
MATERIAL	SEE BILL OF MATERIAL		
FINISH	SEE BILL OF MATERIAL		



5290 Concourse Drive
Roanoke, VA 24019
Phone: 800-622-7711
Fax: 540-265-0724
www.occfiber.com

DWG TITLE CUSTOMER DRAWING,
ASSY, ADAPTER, BC,
COMMERCIAL

SIZE	B	DWG NO.	C107112	REV	B
SCALE:	NONE	SHEET	1 OF 1		